

3K 3412 / 3412 P



Vibratory compactor

- ▶ Ergonomic driver's compartment for perfect all-round visibility
- ▶ Convenient information display
- ▶ Infinitely variable hydrostatic all-wheel drive
- ▶ High engine performance with traction control
- ▶ High climbing power through automatic slip control
- ▶ 3-point swivel joint for highest driving comfort
- ▶ Hydrostatic steering
- ▶ Very easy maintenance, long service intervals



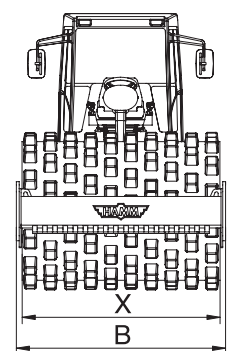
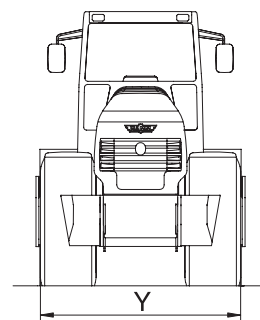
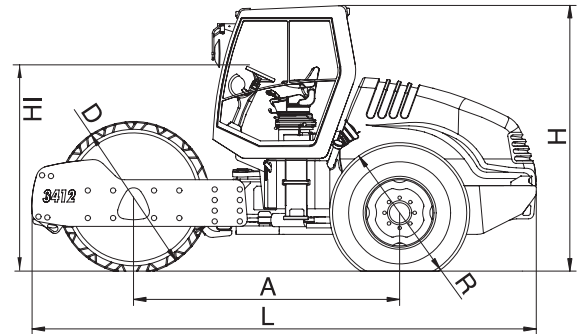
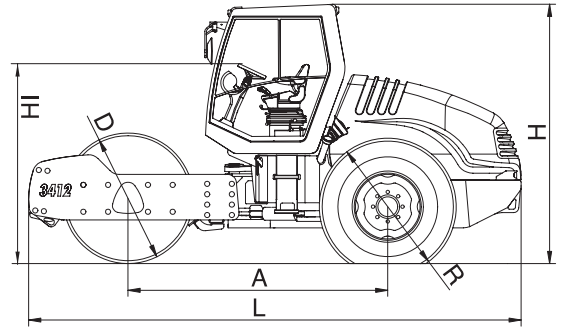
TECHNICAL DATA

3412
3412 P

Weights			
Operating weight	kg	12200	12300
Maximum weight	kg	14200	14200
Axle load, front/rear	kg	6705/5495	6805/5495
Load per tire, rear	kg	2747,5	2747,5
Static linear load, front	kg/cm	31,3	
Machine dimensions			
Max. working width	mm	2140	2140
Turning radius, inside	mm	3690	3690
Padfoot, number			140
Height of the padfoot	mm		100
Front area of padfoot			152
Size of tires, rear		AW 23.1-26 12 PR	TR 23.1-26 12 PR
Diesel engine			
Manufacturer		DEUTZ	DEUTZ
Type		TCD 2012 L04 2V	TCD 2012 L04 2V
Number of cylinders		4	4
Power rat. ISO 14396, kW/PS/rpm		100,0/136,0/2300	100,0/136,0/2300
Power rating SAE J1349, kW/HP/rpm		100,0/134,0/2300	100,0/134,0/2300
Drive			
Hydrostatic drive, front/rear		Hydraulic motor/axle	Hydraulic motor/axle
Speed, working gear	km/h	0-3,9/0-5,5/0-6,4	0-3,8/0-4,9/0-6,4
Speed, transportation gear	km/h	0-11,9	0-10,1
Climbing ability, vibration on/off	%	56/61	62/67
Vibration system			
Hydrostatic drive			
Vibration			
Vibration frequency, front, l/l	Hz	30/40	30/40
Amplitude, front, l/l	mm	1,91/0,90	1,87/0,88
Centrifugal force, front, l/l	kN	256/215	256/215
Steering			
Steering, type		Pivoted steering	Pivoted steering
Steering, actuation		hydrostatic, steer. wheel	hydrostatic, steer. wheel
Steering lock +/-	Grad	35	35
Oscillation angle +/-	Grad	10	10
Brake system			
Service brake, mode of action		hydrostatic	hydrostatic
Service brake, actuation		Drive lever	Drive lever
Parking brake, mode of action		Spring-loaded/mechanical	Spring-loaded/mechanical
Parking brake, actuation		electr. a. autom.	electr. a. autom.
Emergency brake, mode of action		hydr./mech.	hydr./mech.
Emergency brake, actuation		Emergency stop	Emergency stop
Hydraulic pump, Hamm No.			2057213
Equipment			
Suspended driving position, access from both sides. Sliding and swivelling seat console. 2 multifunctional drive levers. Traction control. Swivelling drive and dashboard console. Modern information and control display. Sound insulation. Tilttable GFK-engine hood. CE-conformity.			
Optional			
Comfortable ROPS cabin with panoramic view. Working lights, wipers front/rear, exterior and interior mirrors. Radio. Heating with dust free ventilation. Air conditioning. ROPS/FOPS. Sun top. HCQ-Indicator, HCQ-Printer, HCQ-GPS-Navigator. Tachograph. Lighting according to German Road Regulation. Special paint.			

Further data on request / subject to change

3412 - Vibratory compactor
3412 P - Padfoot compactor



		3412	3412 P
Total length	L	5705	5705
Width	B	2250	2250
Total height	H	2990	3010
Wheel base	A	3015	3015
Roller drum width	X	2140	2140
Drum diameter	D	1504	1684
Width over tires	Y	2130	2130
Diameter of tires	R	1565	1565
Height loading, min.	HI	2325	2325