



AMMANN-YANMAR SAS

25, rue de la Tambourine - F-52100 SAINT DIZIER

sales@ammann-yanmar.fr

www.ammann-yanmar.com



Version Studio - Printed in France - Materials and specifications are subject to change from the manufacturer without notice - Please contact your local Ammann-Yanmar dealer for further information.



C50R-3

Carrier



YANMAR

C50R-3

Operating weight : 5125/5575 kg

Max. payload : 3800/3500 kg

Dump vessel capacity : 2,3/2,1 m³

Carrier Yanmar C50

on all types



Carrier



YANMAR

CSOR-3, performance in all types of terrain



CSOR-3



High performance

Carrier Yanmar
performance
all types

Power and productivity

- Robustness of the carriage :
 - large steel reinforced rubber crawlers with automatic track tension ;
 - track rollers mounted by pairs with pendular supports ;
 - perfect traction on extreme grounds.
- Power of the TNV Yanmar engine (compliant to European norm 97/68/EC).
- Advantages in comparison to an ordinary truck :
 - low centre of gravity : maximum working safety ;
 - compact dimensions (tunnelling) and small turning circle ;
 - lower ground pressure due to rubber crawlers and an excellent weight distribution : limited ground damage ;
 - Reversible seat and travel lever : possibility of travelling in the direction of the load when the machine is manoeuvring through obstacles.



Track rollers with pendular supports



Vessel

- The C50R-3 carrier is available :
 - with box-shape vessel and rear dumping ;
 - with swivel dump type and lateral dumping (option).
- Ideal for the use on all grounds :
 - sand ;
 - soft and swampy areas ;
 - steep slopes.

HST transmission

- Transmission with torque regulation. The speed is adapted according to the load without engine speed decreasing : no engine stalling even on heavy slopes.
- Hydraulic pilot travel lever : precise operations.
- Quick and smooth change of travel direction.
- Automatic speed change.
- Lockout mechanism in low speed to do safe work.

Carrier



Yanmar C50R-3, Performance on all types of terrain



Comfort and safety

Ergonomic pilot system

- High position with panoramic view over the working area.
- Reversible seat and dual levers allow the operator to face the direction of travel without the need to turn the machine :
 - increased productivity ;
 - lower damage of ground.
- Spacious leg room.
- Easy access to control levers and simple use.



C50R-3

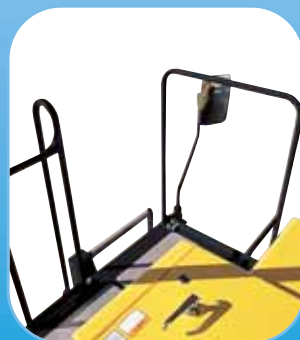
Optimum safety

- Cabin fully compliant to safety norms ROPS and FOPS level 1.
- Seat with safety belt.
- Safety lever prevents travel when located in the upper position.
- A warning buzzer sounds the travel on vessel side.
- Automatic parking break when the travel lever is shifted to neutral : safety when parking on slopes. Prevention of brake dragging.



Excellent visibility

- Removable windscreen.
- Side visibility : no dead angle on the right front side of the machine.





Reliability and accessibility



Dumping

- Ample dumping angle (65°).
- High ground clearance of the vessel (670 mm).
- Advantages :
 - safe dumping ;
 - single dumping stroke.



Swivel vessel in option

- Principle : vessel mounted on swivel carriage for sideway dumping.
- Efficiency and safety of work :
 - progressive dumping along a trench ;
 - sideway protrusion reduced to 845 mm : dumping near excavation with high stability.

Easy maintenance

- Excellent position of inspection hatches allowing an easy access :
 - to engine components and daily control points (water, engine oil, fan belt, hydraulic oil filter) due to the opening of a bonnet on the platform ;
 - to air filter, diesel filter due to the opening of a lateral bonnet ;
 - to the battery due to the opening of a hatch on the platform.



Various attachments*

- The C50R-3 can be fitted with an auxiliary pump (option) permitting the installation of various attachments :
 - borers ;
 - cranes ;
 - winches ;
 - generators ;
 - and others...

* not available from Ammann Yanmar.

TECHNICAL SPECIFICATIONS

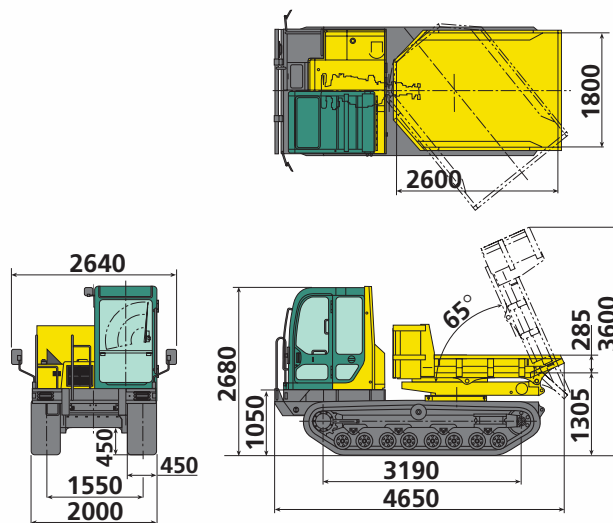
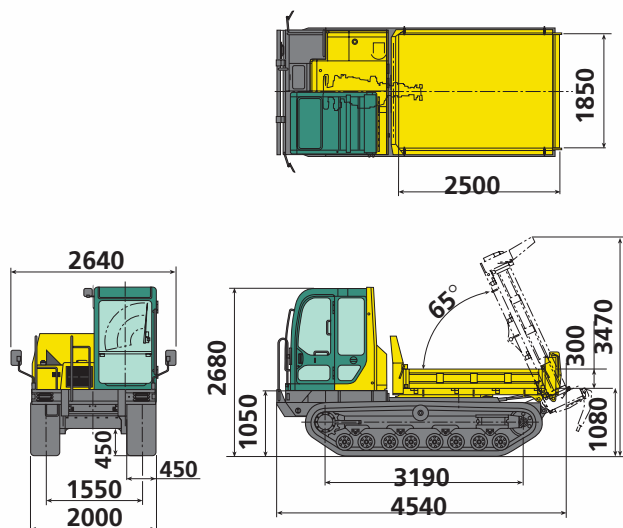


Operating weight : 5125 kg
Max. Payload : 3800 kg

Operating weight : 5575 kg
Max. Payload : 3500 kg

C50R-3 standard vessel one-side dumping (rear)

C50R-3 swivel vessel (180°)



Engine

Yanmar Diesel 4 cylinders 4TNV106-NTB1
 Rated output 67.7 kw/92 HP/2500 rpm
 Displacement 4412 cm³
 Max. torque 309.9 N.m./1600 rpm

Performance

	C50R-3 standard vessel	C50R-3 swivel vessel 180°
Dumping angle	65°	65°
Vessel dimensions (L x w x h)	2500 x 1850 x 300 mm	2600 x 1800 x 285 mm
Dumping mechanism	1 side (rear)	3 sides
Dump vessel capacity (struck/heaped)	1.4/2.3 m ³	1.2/2.1 m ³
Dump clearance	670 mm	890 mm
Max. travelling speed (forward/reverse)	10 km/h	10 km/h

Undercarriage

	C50R-3 standard vessel	C50R-3 swivel vessel 180°
Track width	450 mm	450 mm
Min. ground clearance	450 mm	450 mm
Ground pressure (unloaded/loaded)	0.17/0.31 kg/cm ²	0.19/0.31 kg/cm ²

Miscellaneous

Hydraulic system 1 gear pump
 Hydraulic tank 35 l
 Fuel tank 95 l
 Noise Level LwA (2000/14/EC & 2005/88/EC) 102 dBA