

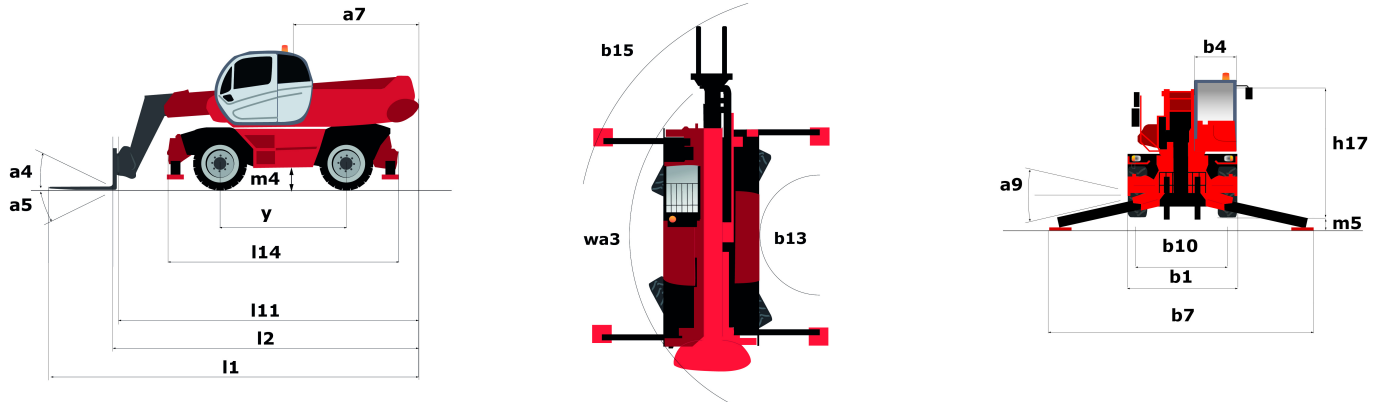
Technical sheet :

MRT 2470 PRIVILEGE PLUS



Capacities		Metric	Imperial
Max. capacity	Q	7000 kg	15432 lbs
Max. lifting height	h3	24.8 m	81 ft 4 in
Max. Reach	l4	20.5 m	67 ft 3 in
Weight and dimensions			
Overall width	b1	2.49 m	8 ft 2 in
Overall height	h17	3.05 m	10 ft
Overall cab width	b4	0.99 m	3 ft 3 in
Ground clearance	m4	0.35 m	1 ft 2 in
Wheelbase	y	3.25 m	10 ft 8 in
Tilt-up angle	a4	12 °	12 °
Tilt-down angle	a5	108 °	108 °
Turret rotation		360 °	360 °
Overall weight		21760 kg	47973 lbs
Forks length / width / section	l / e / s	1200 mm x 50 mm x 15 mm	47.244 in x 1.969 in x 0.591 in
Wheels			
Tyres type		Pneumatic	Pneumatic
Steering wheels (front / rear)		2 / 2	2 / 2
Drive wheels (front / rear)		2 / 2	2 / 2
Stabilisers			
Stabs Type		Telescopic Duplex	Telescopic Duplex
Controls with stabs		Stabs Commands Individual or Simultaneous	Stabs Commands Individual or Simultaneous
Engine			
Engine brand		Mercedes	Mercedes
Engine norm		Stage IV / Tier 4 Final	Stage IV / Tier 4 Final
Engine model		OM 934 E4-5 - Stage 4 / Final Tier 4	OM 934 E4-5 - Stage 4 / Final Tier 4
I.C. Engine power rating / Power (kW)		176 Hp / 129 kW	176 Hp / 129 kW
Max. torque / Engine rotation		1500 Nm @ 1200 tr/min	1500 Nm @ 1200 tr/min
Number of cylinders - Capacity of cylinders		3400 - 5130 cm ³	3400 - 313.05 in ³
Injection		engine Injection direct	engine Injection direct
Engine cooling system		Water	Water
Number of batteries		2	2
Battery / Batteries capacity		12 V / 120 Ah	12 V / 120 Ah
Drawbar pull (Laden)		9500 daN	9500 daN
Transmission			
Transmission type		Hydrostatic	Hydrostatic
Number of gears (forward / reverse)		2 / 2	2 / 2
Max. travel speed (may vary according to applicable regulations)		40 km/h	24.9 mph
Parking brake		Automatic Negative Hand-brake	Automatic Negative Hand-brake
Service brake		Hydraulic	Hydraulic
Hydraulics			
Hydraulic pump type		Variable pump	Variable pump
Hydraulic flow		180 l/min	180 l/min
Hydraulic Pressure		350 Bar	24 PSI
Tank capacities			
Engine oil		290 l	63.79 gal
Hydraulic oil		290 l	63.79 gal
Fuel tank		290 l	63.79 gal
Diesel Exhaust fluid (AdBlue® type)		57 l	12.54 gal
Noise and vibration			
Noise at driving position (LpA)		79.7 dB(A)	79.7 dB(A)
Noise to environment (LwA)		108 dB(A)	108 dB(A)
Vibration to whole hand/arm		< 2.50 m/s ²	< 2.50 m/s ²
Miscellaneous			
Controls		2 Joysticks	2 Joysticks
Safety cabin homologation		Cab ROPS - FOPS Level 2	Cab ROPS - FOPS Level 2
Attachment recognition system (E-Reco)		Standard	Standard

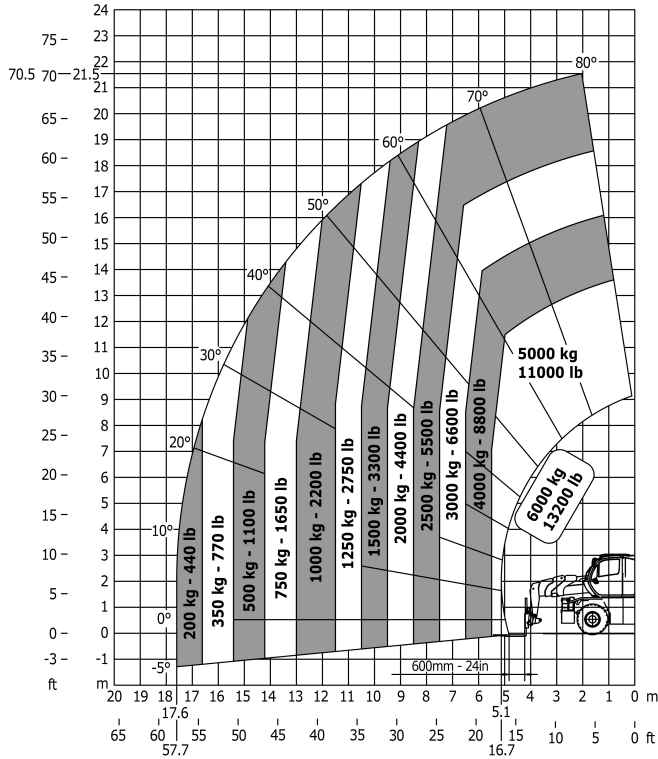
Dimensional drawing



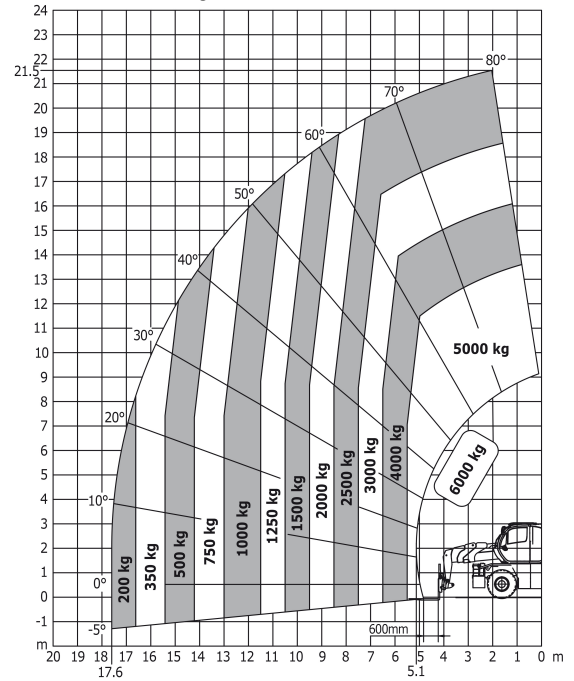
Other data		Metric	Imperial
Overall length (with forks)	l_1	7.55 m	24 ft 9 in
Length to face of forks	l_2	7.55 m	24 ft 9 in
Length of frame	l_{14}	5.6 m	18 ft 4 in
Wheelbase	y	3.25 m	10 ft 8 in
Ground clearance	m_4	0.35 m	1 ft 2 in
Counterweight offset (turret at 90°)	a_7	3.5 m	11 ft 6 in
Tilt-up angle	a_4	12 °	12 °
Tilt-down angle	a_5	108 °	108 °
Outer turning radius (with forks)	b_{15}	6.5 m	21 ft 4 in
Overall width	b_1	2.49 m	8 ft 2 in
Overall width with stabilisers extended	b_7	6.25 m	20 ft 6 in
Overall cab width	b_4	0.99 m	3 ft 3 in
Overall height	h_{17}	3.05 m	10 ft
Frame Levelling Corrector	a_9	8 °	8 °

Load chart

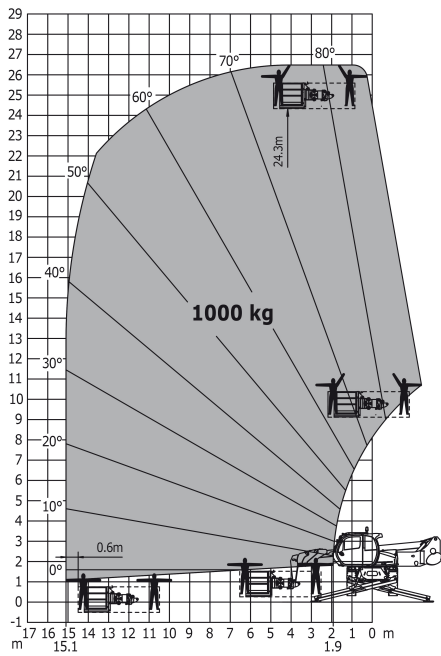
Load Chart metric



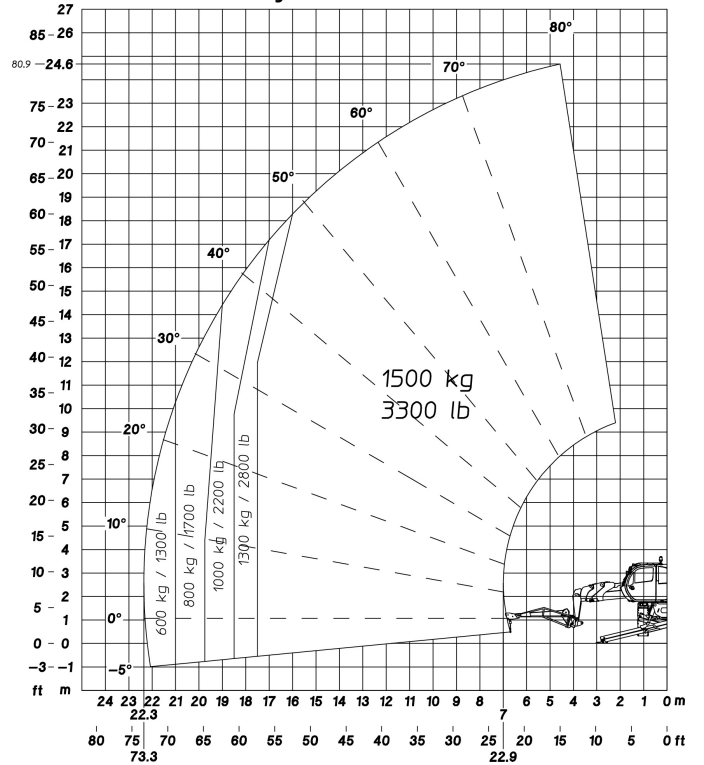
Machine on tyres with forks Metric



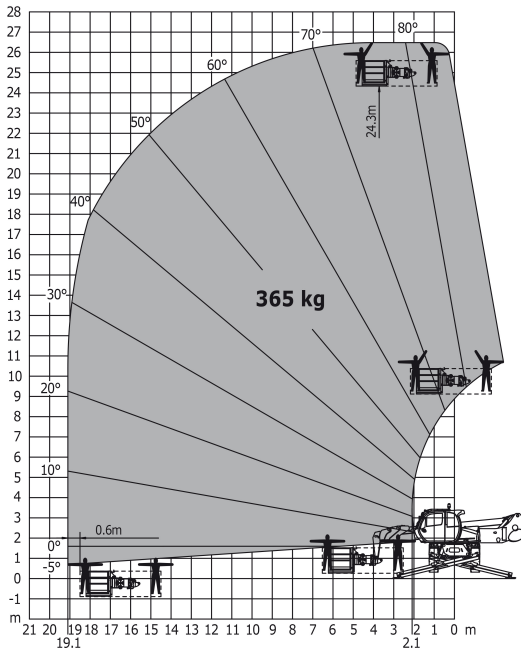
Rotation on lowered stabilisers with 1000 kg platform Metric



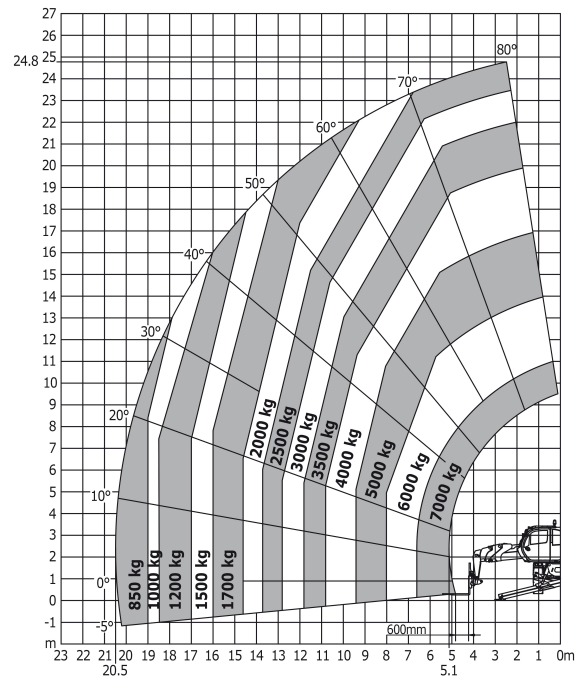
Rotation on lowered stabilisers with 1500 kg jib Metric



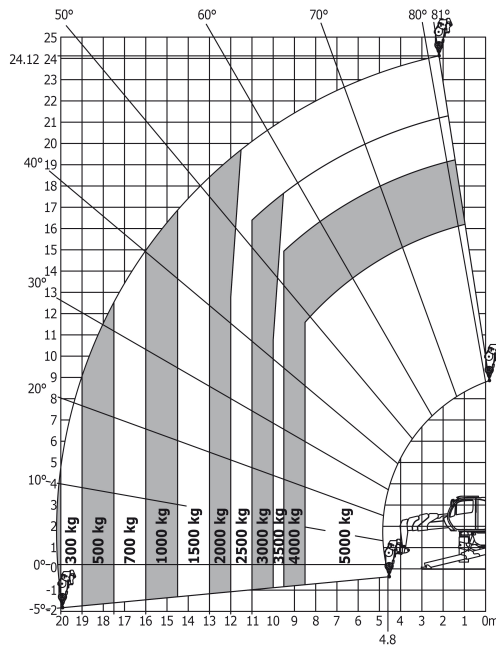
Rotation on lowered stabilisers with 365 kg platform Metric



Rotation on lowered stabilisers with forks Metric



Rotation on lowered stabilisers with winch 5000 kg Metric





Siège Social

430 rue de l'Aubinière - 44150 Ancenis Cedex - France

Tel: +33(0)2 40 09 10 11 - Fax: +33 (0)2 40 09 10 97

www.manitou.com



This brochure describes versions and configuration options for Manitou products which may be fitted with different equipment. The equipment described in this brochure may be standard, optional or not available depending on version. Manitou reserves the right to change the specifications shown and described at any time and without prior warning. The manufacturer is not liable for the specifications given. For more information, contact your Manitou dealer. Non-contractual document. Product descriptions may differ from actual products. List of specifications is not comprehensive. The logos and visual identity of the company are the property of Manitou and may not be used without authorisation. All rights reserved. The photos and diagrams contained in this brochure are provided for information only.

MANITOU BF SA - Limited company with board of directors - Share capital: 39,668,399 euros - 857 802 508
RCS Nantes