

# STIHL®

## STIHL TS 400 Cutquik®

Instruction Manual  
Manual de instrucciones

**Warning!**

Read and follow all safety precautions in Instruction Manual - improper use can cause serious or fatal injury.

**Advertencia!**

Lea y siga todas las precauciones de seguridad dadas en el manual de instrucciones - el uso incorrecto puede causar lesiones graves o mortales.



## Contents

Guide to Using this Manual .....	2
Safety Precautions and Working Techniques .....	3
Application Examples .....	18
STIHL composite resin cutting wheels .....	21
STIHL diamond cutting wheels .....	21
Assembling the bearing and guard .....	25
Tensioning the V-belt .....	26
Abrasive wheels .....	27
Fitting / replacing an abrasive wheel .....	28
Fuel .....	30
Fueling .....	31
Starting / stopping the engine .....	31
Cleaning the air filter .....	34
Motor Management .....	36
Adjusting Carburetor .....	36
Spark arresting screen in the muffler .....	37
Checking the Spark Plug .....	37
Replacing the starter rope / rewind spring .....	38
Replacing the V-belt .....	41
STIHL cut-off machine cart .....	42
Storing the machine .....	42
Maintenance chart .....	43
Parts and Control .....	44
Specifications .....	46
Special Accessories .....	47
Maintenance and Repairs .....	47
STIHL Incorporated Federal Emission Control 2007Warranty Statement .....	48
Trademarks .....	50

Allow only persons who understand this manual to operate your cut-off machine.

To receive maximum performance and satisfaction from your STIHL cut-off machine, it is important that you read and understand the safety and maintenance precautions, starting on page 3, before using your cut-off machine.

Contact your STIHL dealer or the STIHL distributor for your area if you do not understand some instruction in this manual.

### **Warning!**

Because a cut-off machine is a high-speed cutting tool, some special safety precautions must be observed to reduce the risk of personal injury.

Careless or improper use may cause serious or even fatal injury.

# STIHL®

## Guide to Using this Manual

### Pictograms

All the pictograms attached to the machine are shown and explained in this manual.

The operating and handling instructions are supported by illustrations.

### Symbols in text

The individual steps or procedures described in the manual may be marked in different ways:

- A bullet marks a step or procedure without direct reference to an illustration.


A description of a step or procedure that refers directly to an illustration may contain item numbers that appear in the illustration.


Example:


Loosen the screw (1)


Lever (2) ...

In addition to the operating instructions, this manual may contain paragraphs that require your special attention. Such paragraphs are marked with the symbols described below:

 Warning where there is a risk of an accident or personal injury or serious damage to property.

 Caution where there is a risk of damaging the machine or its individual components.

 Note or hint which is not essential for using the machine, but may improve the operator's understanding of the situation and result in better use of the machine.

 Note or hint on correct procedure in order to avoid damage to the environment.

### \* Equipment and features

This instruction manual may refer to several models with different features. Components that are not installed on all models and related applications are marked with an asterisk (\*). Such components may be available as special accessories from your STIHL dealer.

### Engineering improvements

STIHL's philosophy is to continually improve all of its products. As a result, engineering changes and improvements are made from time to time. If the operating characteristics or the appearance of your machine differ from those described in this manual, please contact your STIHL dealer for assistance.

Therefore some changes, modifications and improvements may not be covered in this manual.

## Safety Precautions and Working Techniques



### **Warning!**

The use of any cut-off machine may be hazardous. Because a cut-off machine is a high-speed, fast-cutting power tool, special safety precautions must be observed to reduce the risk of personal injury and fire.

It is important that you read, fully understand and observe the following safety precautions and warnings.



Read the instruction manual and the safety precautions periodically.

Do not lend or rent your cut-off machine without the instruction manual. Be sure that anyone using your cut-off machine understands the information contained in this manual. A first-time operator should obtain practical instruction before using the machine. Employers should establish a training program for operators of gasoline-powered, hand-held portable, cut-off machines to assure safe operation of these machines. These safety precautions and warnings apply to the use of all STIHL Cutquiks.

### **Warning!**

Careless or improper use of any cut-off machine may cause serious or fatal injury.

Have your STIHL dealer show you how to operate your cut-off machine. Observe all applicable national, state and local safety regulations, standards and ordinances.

### **Warning!**

Minors should never be allowed to use a cut-off machine. Bystanders, especially children, and animals should not be allowed in the area where a cut-off machine is in use. Never let the cut-off machine run unattended.

Different models may have different parts and controls. See the appropriate section of your instruction manual for a description of the controls and function of the parts of your model cut-off machine.

Safe use of a cut-off machine involves

- the operator
- the cut-off machine
- the use of the cut-off machine.

## THE OPERATOR

### Physical Condition

You must be in good physical condition and mental health and not under the influence of any substance (drugs, alcohol, etc.) which might impair vision, dexterity or judgment. Do not operate a cut-off machine when you are fatigued. Be alert - if you get tired while operating your cut-off machine, take a break; tiredness may result in loss of control. Working with any cut-off machine can be strenuous. If you have any condition that might be aggravated by strenuous work, check with your doctor before operating a cut-off machine.

**⚠ Warning!**

Prolonged use of cut-off machines (or other machines) exposing the operator to vibrations may produce whitefinger disease (Raynaud's phenomenon) or carpal tunnel syndrome. These conditions reduce the hand's ability to feel and regulate temperature, produce numbness and burning sensations and cause nerve and circulation damage and tissue necrosis. All factors which contribute to whitefinger disease are not known, but cold weather, smoking and diseases or physical conditions that affect blood vessels and blood transport, as well as high vibration levels and long periods of exposure to vibration are mentioned as factors in the development of whitefinger disease. In order to reduce the risk of whitefinger disease and carpal tunnel syndrome, please note the following:

- Most STIHL cut-off machine models are available with an anti-vibration ("AV") system designed to reduce the transmission of vibrations created by the engine to the operator's hands. An AV system is recommended for those persons using cut-off machines on a regular or sustained basis.
- Wear gloves and keep your hands warm.
- Keep the AV system well maintained. A cut-off machine with loose components or with damaged or worn AV buffers will tend to have higher vibration levels.
- Maintain a firm grip at all times, but do not squeeze the handles with constant, excessive pressure. Take frequent breaks.

All the above-mentioned precautions do not guarantee that you will not sustain whitefinger disease or carpal tunnel syndrome. Therefore, continual and regular users should monitor closely the condition of their hands and fingers. If any of the above symptoms appear, seek medical advice immediately.

**⚠ Warning!**

The ignition system of your unit produces an electromagnetic field of a very low intensity. This field may interfere with some pacemakers. To reduce the risk of serious or fatal injury, persons with a pacemaker should consult their physician and the pacemaker manufacturer before operating this tool.

**Proper Clothing**

**⚠ Warning!**



To reduce the risk of injury, the operator should wear proper protective apparel.

Clothing must be sturdy and snug-fitting, but allow complete freedom of movement. Avoid loose-fitting jackets, scarfs, neckties, jewelry, flared or cuffed pants, unconfined long hair or anything that could become caught on any obstacles or moving parts of the unit. Wear overalls or long pants to protect your legs. Do not wear shorts.

**⚠ Warning!**

When cutting metal, a cut-off machine generates sparks that can ignite clothing. Most fabrics used in clothing are flammable - even flame-retardant fabrics will ignite at higher temperatures. To reduce the risk of burn injury STIHL recommends wearing clothing made of leather, wool, flame-retardant-treated cotton or a tightly woven, heavier cotton such as denim. Some flame-retardant synthetic fabrics are also suitable but others such as polyester, nylon, rayon and acetate can melt during a fire into a tar-like matter that burns into the skin. Check the clothing manufacturer's instructions. Keep clothing free of oil, fuel, grease and other flammable substances.



Always wear gloves when handling the cut-off machine. Heavy-duty, nonslip gloves improve your grip and help to protect your hands.



Good footing is most important in cut-off machine work. Wear sturdy boots with nonslip soles. Steel-toed safety boots are recommended.

**⚠ Warning!**

Loose objects may be thrown toward the operator by the cutting tool.



To reduce the risk of injury to your eyes never operate a cut-off machine unless wearing goggles or properly fitted safety glasses with adequate top and side protection complying with ANSI Z 87.1. Proper eye protection is a must.

Wear an approved safety hard hat to protect your head. Cut-off machine noise may damage your hearing. Always wear sound barriers (ear plugs or ear mufflers) to help protect your hearing. Regular users should have their hearing checked regularly.

**⚠ Warning!**

When wet cutting is not utilized, the operator should always wear a respirator approved by NIOSH/MSHA for the material being cut to reduce the risk of serious or fatal respiratory illness. For additional details and warnings on this subject, see information under "Working Conditions" in this instruction manual.

**THE CUT-OFF MACHINE**

For illustrations and definitions of the parts of the cut-off machine, see "Main parts of the machine."

**⚠ Warning!**

Never modify a cut-off machine in any way. Only attachments supplied by STIHL or expressly approved by STIHL for use with the specific STIHL cut-off machine models are authorized. Although certain unauthorized attachments are useable with the STIHL powerhead, their use may, in fact, be extremely dangerous.

**⚠ Warning!**

Dust may collect on the powerhead, especially around the carburetor, and may absorb gasoline resulting in danger of fire. Clean dust from the powerhead regularly.

**Abrasive Wheels**

**⚠ Warning!**

Before mounting the cutting wheel, make sure that the maximum operating wheel speed is above or equal to the spindle speed of your cut-off machine as provided in the Specifications of this manual. A wheel that is not so rated may shatter or break and poses a threat of serious or fatal injury to the operator and other nearby persons.

Abrasive wheels for free-hand cutting are subjected to particularly high bending and compression stresses.

**⚠ Warning!**

Unauthorized wheels may be more likely to shatter or break. Use only STIHL wheels or other authorized wheels with approved RPM ratings. Read and follow any additional safety precautions that accompany the wheel.

**⚠ Warning!**



Inspect the abrasive wheel frequently and replace immediately if the abrasive wheel is cracked or warped. Cracked or warped wheels may shatter or break and cause serious or fatal personal injury. Out-of-round or unbalanced abrasive wheels increase vibration and reduce the service life of the cut-off machine.

Abrasive wheels are heat sensitive. Always store your cut-off machine in a place where the cutting wheel is not exposed to direct sunlight or other sources of heat. Store spare cutting wheels in a dry place where there is no risk of frost damage. Failure to follow these directions may cause the wheel to shatter or crack in use causing serious or fatal injury.

**⚠ Warning!**



Never use circular saw blades, carbide tipped blades, rescue blades, wood-cutting blades or toothed blades of any nature. They can cause severe personal injury from blade contact, thrown objects and/or reactive forces, including kickback. See section on “Reactive Forces.” Your STIHL dealer stocks a range of special abrasive wheels for the many applications of the cut-off machine.

**⚠ Warning!**

Use of the wrong abrasive wheel or the cutting of material for which the wheel was not designed may cause the wheel to shatter causing serious or fatal injury.

Only use the abrasive wheel approved for the type of material to be cut. There are different abrasive wheels, each specially marked. For example:

1. Stone  
Also can be used for concrete, masonry, reinforced concrete and brick cutting.
2. Steel  
Can be used for all ferrous metal cutting.
3. Asphalt  
Also can be used for aggregate concrete cutting.
4. Ductile iron  
Also can be used for certain grades of cast iron (SG 17-24), bronze and copper cutting.

For cutting composite materials please ask your STIHL dealer.

### **Diamond Abrasive Wheels**

Diamond abrasive wheels have a much better cutting performance than composite abrasive wheels. The diamond wheels are steel centered, and diamond particles are imbedded in their cutting edges.

They can be used for concrete, asphalt, natural stone, clay pipe, brick and the like.

They are not normally suitable for cutting metal or other materials.

Wet or dry cutting is possible. With wet cutting your diamond wheel will have a longer life. Water attachments are included with your STIHL cut-off machine. See the appropriate section of your instruction manual.

#### **Warning!**

Do not remount a used diamond abrasive wheel without first inspecting for under-cutting, flatness, core fatigue, segment damage or loss, signs of overheating (discoloration) and possible arbor hole damage.

Check the wheel for cracks and make sure that no pieces have broken off the wheel before use.

Always fit the wheel so that the arrow on the wheel points in the direction of the rotation of the spindle.

## **THE USE OF THE CUT-OFF MACHINE**

### **Transporting the STIHL Cutquik**

#### **Warning!**

Always stop the engine before putting a cut-off machine down or carrying it. The abrasive wheel continues to rotate for a short while after the throttle trigger is released (flywheel effect). Carrying a cut-off machine with the engine running is extremely dangerous. Accidental acceleration of the engine can cause the wheel to rotate. Avoid touching the hot muffler.

By hand: When carrying your cut-off machine by hand, the engine must be stopped and the cut-off machine must be in the proper position. Grip the front handle and place the muffler at the side away from the body.

#### **Warning!**

Always protect the cutting wheel from hitting the ground or any other objects. Damaged wheels may shatter and cause serious or fatal injury.



By vehicle: Properly secure your cut-off machine to prevent turnover, fuel spillage and damage to the cut-off machine. Never transport with cutting wheel mounted. A wheel damaged during transportation may shatter during operation and cause serious personal injury.

### Preparation for the Use of the Cut-Off Machine

For assembly, follow the procedure described in the appropriate section of your instruction manual.

Keep the handles dry, clean and free of oil and fuel.

#### **Warning!**

Before operation of your cut-off machine, be sure the controls (e.g. throttle trigger, stop switch) and the safety devices are working properly, the carburetor idle and maximum speed are correctly adjusted, the wheel is properly mounted, and the wheel guard is in place and securely fastened to your unit. All wheels should be carefully inspected for good condition before mounting.



Adjust the wheel guard so that sparks, dust and cut material are deflected away from the operator, and cannot reach flammable surroundings.

See section “Operating Instructions” of your instruction manual.

Never operate a cut-off machine that is damaged, improperly adjusted or not completely and securely assembled. Inspect for safety in operation.

Proper tension of the V-belt is important. In order to avoid an incorrect setting, the tensioning procedure must be followed as described in your manual. Always make sure the hexagonal collar nuts for the cast arm are tightened securely. Check V-belt tension after one hour of operation and correct if necessary.

### Fuel

Your STIHL power tool uses an oil-gasoline mixture for fuel (see the chapter on “Fuel” of your instruction manual).

#### **Warning!**



Gasoline is an extremely flammable fuel. If spilled and ignited by a spark or other ignition source, it can cause fire and serious burn injury or property

damage. Use extreme caution when handling gasoline or fuel mix.

Do not smoke or bring any fire or flame near the fuel or the power tool. Note that combustible fuel vapor may escape from the fuel system.

### Fueling Instructions

#### **Warning!**

Fuel your power tool in well-ventilated areas, outdoors. Always shut off the engine and allow it to cool before refueling. Gasoline vapor pressure may build up inside the fuel tank depending on the fuel used, the weather conditions and the tank venting system.

In order to reduce the risk of burns and other personal injury from escaping gas vapor and fumes, remove the fuel filler cap on your power tool carefully so as to allow any pressure build-up in the tank to release slowly. Never remove the fuel filler cap while the engine is running.

Select bare ground for fueling and move at least 10 feet (3 m) from the fueling spot before starting the engine. Wipe off any spilled fuel before starting your machine.

### **Warning!**

Check for fuel leakage while refueling and during operation. If fuel leakage is found, do not start or run the engine until the leak is fixed and any spilled fuel has been wiped away. Take care not to get fuel on your clothing. If this happens, change your clothing immediately.

### **Warning!**

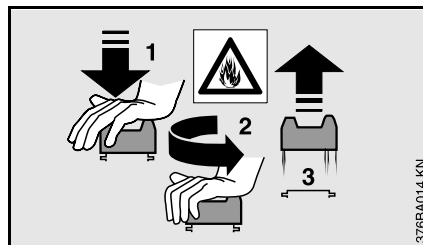
If fuel gets spilled on clothes, especially trousers, it is very important to change clothes immediately. Do not rely upon evaporation. Flammable quantities of fuel may remain on clothes after a spill for longer than expected. Cutting metal with a cut-off machine when clothes are wet or damp from gasoline is extremely dangerous, as the operator's clothes might catch fire and cause serious or fatal injury.

### **Warning!**

An improperly tightened fuel cap can loosen or come off and spill quantities of fuel.

Different cut-off machines may be equipped with different fuel filler caps:

#### **Bayonet filler cap**



Never use a tool to open or close the bayonet filler cap, as this could damage the cap and cause fuel to leak out.

The bayonet filler cap must be closed with care after refuelling.

#### **Fuel filler cap with screw thread**



Secure the fuel filler cap as tightly as possible after refuelling.

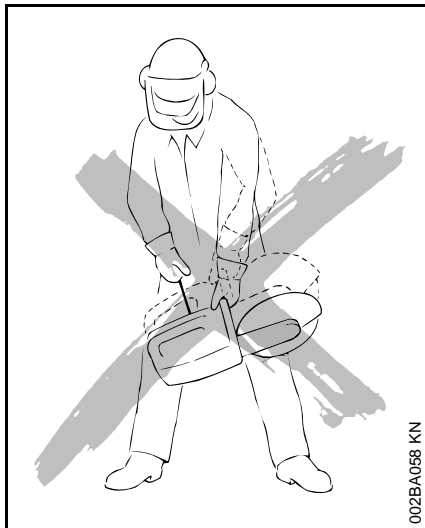
This reduces the risk of the cap working loose due to engine vibrations and fuel leaking out.

### **Warning!**

Never attempt to force the cap open by using a tool. It may damage the cap and allow fuel to leak.

Before use, make sure that the fuel cap has been properly tightened and any spilled fuel wiped away. Check for fuel leakage while refueling and during operation. If a fuel leak is suspected, do not start or run the engine until the leak is fixed and spilled fuel has been wiped away.

## Starting



### **Warning!**

Your cut-off machine is a one-person tool. Do not allow other persons to be near the cut-off machine. Start and operate your cut-off machine without assistance. For specific starting instructions, see the appropriate section of your instruction manual.

Do not drop start. This method is very dangerous because you may lose control of the cut-off machine. Place the cut-off machine on firm ground or other solid surface in an open area. Maintain good balance and secure footing. Be absolutely sure that the cutting wheel is clear of you and all other obstructions and objects, including the ground. When the engine starts at starting-throttle, engine speed will be fast enough for the clutch to engage the V-belt pulley and turn the wheel. Never attempt to start the cut-off machine when the abrasive wheel is in a cut.

Once the engine has started, immediately blip the throttle trigger, which should release the starting throttle and allow the engine to slow down to idle.

### **Warning!**

When you pull the starter grip, don't wrap the starter rope around your hand. Do not allow the grip to snap back, but guide the starter rope slowly back to permit the rope to rewind properly. Failure to follow this procedure may result in injuries to hand or fingers and may damage the starter mechanism.

## Working Conditions

Operate the cut-off machine under good visibility and daylight conditions only.

Wearing of hearing protection reduces sound perception. Be alert not to miss voice signals from co-workers. Keep within calling distance to other persons who may assist in case of emergency.

### **Warning!**



Your cut-off machine produces toxic exhaust fumes as soon as the combustion engine is running. These gases (e.g. carbon monoxide)

may be colorless and odorless. To reduce the risk of serious or fatal injury from breathing toxic fumes, never run the cut-off machine indoors or in poorly ventilated locations. Ensure proper ventilation when working in trenches or other confined areas.

**⚠ Warning!**

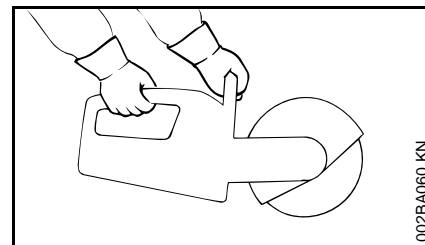
Use of this product to cut masonry, concrete, metal and other materials can generate dust and fumes containing chemicals known to cause serious or fatal injury or illness, such as respiratory disease, cancer, birth defects or other reproductive harm. If you are unfamiliar with the risks associated with the particular material being cut, review the material safety data sheet and/or consult your employer, the material manufacturer/supplier, governmental agencies such as OSHA and NIOSH and other sources on hazardous materials. California and some other authorities, for instance, have published lists of substances known to cause cancer, reproductive toxicity, etc. Control dust and fumes at the source where possible. In this regard use good work practices and follow the recommendations of the manufacturer/supplier, OSHA/NIOSH, and occupational and trade associations. A water attachment kit is provided with your cut-off machine and should be used for dust suppression when wet cutting is feasible. If wet cutting is not utilized, the operator and any bystanders should always wear a respirator approved by NIOSH/MSHA for the material being cut. Consult and follow any federal, state or local laws or regulations with respect to dry and wet cutting.

**⚠ Warning!**

Cutting masonry, concrete and other materials with silica in their composition may give off dust containing crystalline silica. Silica is a basic component of sand, quartz, brick clay, granite and numerous other minerals and rocks. Repeated and/or substantial inhalation of airborne crystalline silica can cause serious or fatal respiratory diseases, including silicosis. In addition, California and some other authorities have listed respirable crystalline silica as a substance known to cause cancer. When cutting such materials, always follow the respiratory precautions mentioned above.

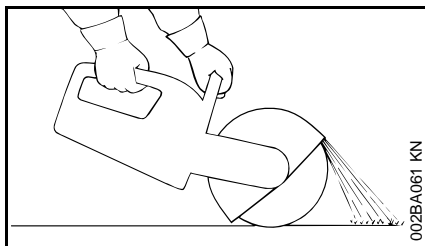
**⚠ Warning!**

Breathing asbestos dust is dangerous and can cause severe or fatal injury, respiratory illness or cancer. The use and disposal of asbestos-containing products have been strictly regulated by OSHA and the Environmental Protection Agency. Do not use your cut-off machine to cut or disturb asbestos, asbestos-containing products, or products such as pipes which are wrapped or covered with asbestos insulation. If you have any reason to believe that you might be cutting asbestos, immediately contact your employer or a local OSHA representative.

**⚠ Warning!**

Your STIHL cut-off machine is designed for hand-held use or operation on a cut-off machine cart. Cutting with your cut-off machine resting on the ground or other surface can cause excessive wear to the bracket designed to protect the bottom of the tank housing. Loss of fuel and personal injury from fire may result. Replace damaged or badly worn brackets immediately.

**Grip:** Never use the cut-off machine with one hand. Always hold the cut-off machine firmly with both hands when the engine is running. Place your left hand on front handle bar and your right hand on rear handle and throttle trigger. Left-handed users should follow this instruction too.



Wrap your fingers tightly around the handles, keeping the handles cradled between your thumbs and forefingers. Make sure your cut-off machine handles and grip are in good condition and free of moisture, pitch, oil or grease.

**⚠ Warning!**

Clear the area where you are working. Avoid stumbling on obstacles and watch out for holes or ditches. Be extremely cautious when working on slopes or uneven ground. Take extreme care in wet and freezing weather (rain, snow, ice).

**⚠ Warning!**

Never operate the cut-off machine with the starting-throttle lock engaged as this does not permit proper control of the speed of the unit and may lead to serious injury.

**⚠ Warning!**



Sparks from cutting metal can burn or cause clothing to catch fire. Always direct sparks away from the operator or any flammable

surroundings. Never cut metal while standing on a flammable surface, such as wood or tar paper. Where there is a risk of fire, have appropriate fire extinguishing equipment readily available.

**⚠ Warning!**

To reduce the risk of injury from fire, do not cut into any pipe, drum or other container without first ensuring that it does not contain a volatile or flammable substance.

**⚠ Warning!**

When cutting into existing walls, floors or similar structures, be alert for hidden hazards such as electrical cables, water and gas pipes and flammable substances. Make sure that power, water and gas have been shut off and pipes drained before starting to cut.

## Operating Instructions

**⚠ Warning!**

The wheel guard is adjustable. It is extremely important that the wheel guard is in place and set to suit the type of work and your stance. The guard should always be adjusted so that the user is not endangered by particles of the material being cut, sparks or pieces of damaged wheels either directly or by ricochet. Failure to follow this instruction could result in serious or fatal injury.

**⚠ Warning!**

Always check the wheel before use and after unintentionally striking any object; frequently check it during use when it is stopped. Look for cracks, and make sure that it is undamaged and in good condition and that no pieces have broken off. See sections on "Abrasive Wheels" and "Reactive Forces" in this manual. Check the wheel guard for cracks. If you discover any breaks or cracks, fit a new guard before further use.

**⚠ Warning!**

It is essential to determine the exact direction of the cut before applying the abrasive wheel to the work. Wheels are constructed for **radial** pressure only.

**Lateral** pressure must be avoided. Hold the cut-off machine steady. To reduce the risk of serious or fatal injury, do not change the direction of the cut during the cut as this may produce a high torsional load on the abrasive wheel and may cause it to break or shatter.

**⚠ Warning!**

Do not use abrasive wheels for rough grinding. Large bending stresses occur during such work and abrasive wheels may shatter or break and could cause serious or fatal injury.

**⚠ Warning!**

To reduce the risk of injury from shattered abrasive wheels:

1. Do not exceed the maximum operating speed marked on the wheel.
2. Do not use a wheel that has been dropped.
3. Test each new wheel immediately after installation for approximately one minute at maximum speed without cutting, making sure to keep bystanders away.

4. Do not cut any material for which the abrasive wheel is not authorized.
5. Do not grind on the side of the abrasive wheel.
6. Do not twist, thrust, knock or drop the machine. This can cause damage to the wheel.

To achieve a clean and efficient cut, pull the abrasive wheel across the work or move it "to and fro" in the cutting direction. Do not use force to push the abrasive wheel into the work.

Insert the wheel into the material only as deep as necessary to make the cut. To reduce the amount of dust created, do not cut all the way through stone and concrete materials - leave a thin piece uncut. For most such materials, this piece can be easily broken afterwards. Do not cock, jam or wedge the wheel in the cut.

Always stop the engine and be sure the wheel has stopped rotating before setting down the cut-off machine.

If a cut-off machine cart is used, sweep debris from the path of the wheels, as debris under one of the cart's wheels may cause flexing of the abrasive wheel. This could result in high frictional forces and thus greatly reduce the engine power available for the actual cutting work. It could also damage the abrasive wheel.

STIHL recommends the use of the cart for longer cuts in a straight line.

**Wet Cutting with Abrasive Wheels**

Before wet cutting, make sure water will not damage the floor or building.

**⚠ Warning!**

To reduce the risk of electrocution to you or bystanders, do not allow water or sludge to contact live electric wires.

**⚠ Warning!**

To reduce the risk of injury from wheel breakage when wet cutting with a composite non-diamond wheel:

1. Never store and re-use a wheel that has been used with water. Use these wheels up the same day.

2. Make certain water does not flow on a wheel that is not running, since the wheel will absorb water, which will affect wheel balance.
3. Shut water off before the wheel stops so that excess water will be dissipated.
4. Be certain water is applied to both sides of wheel, since uneven distribution can cause "one sided" wear.

### **Important Adjustments**

At correct idle speed, the wheel should not turn. For directions to adjust idle speed, see the appropriate section of your instruction manual.

#### **Warning!**

Do not use a cut-off machine with incorrect idle speed adjustment. The rotating wheel may cause injury. Have your STIHL dealer check your cut-off machine and make proper adjustments or repairs.

Never touch a rotating wheel with your hand or any part of your body.

### **Reactive Forces including Kickback**

#### **Warning!**

Reactive forces may occur at any time the cutting wheel on a cut-off machine is rotating. If the wheel is slowed or stopped by frictional contact with any solid object or by a pinch, reactive forces may occur instantly and with great force. These reactive forces may result in the operator losing control of the cut-off machine, which may, in turn, result in serious or fatal injury.

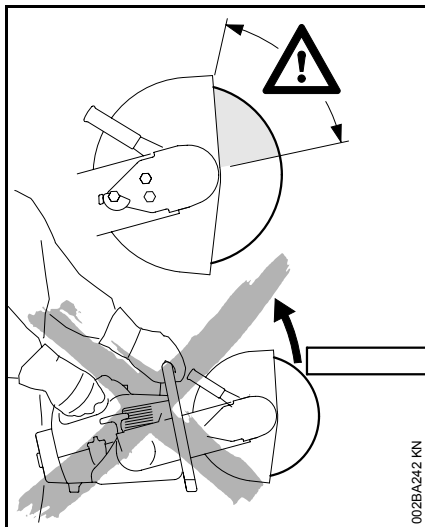
An understanding of the causes of these reactive forces may help you avoid loss of control. Reactive forces are exerted in a direction opposite to the direction in which the wheel is moving at the point of contact or pinch.

### **Pull-away, climbing, pinching and rotational kickback forces**

The most common reactive forces are pull-away and climbing. If the contact is at the bottom of the wheel, a cut-off machine will try to pull away from the operator (pull-away). If the contact is at the front of the wheel, the wheel may attempt to climb the object being cut (climbing). Pinching occurs when the piece being cut closes on the wheel. If the wheel is severely pinched at the front, especially in the upper quadrant, the wheel may be instantly thrown up and back towards the operator with great force in a rotational kickback motion.

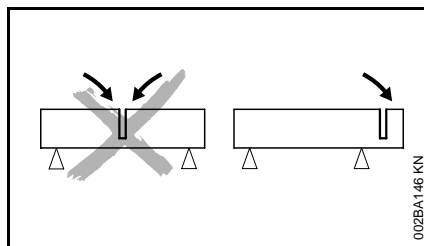
The greater the force generated, the more difficult it will be for the operator to control the cut-off machine. Any of the reactive forces can, in some circumstances, cause the operator to lose control of a cut-off machine, allowing the rotating wheel to come into contact with the operator. Severe personal injury or death can result.

## Reducing the Risk of Kickback Injury



### **Warning!**

To reduce the risk of kickback injury, avoid cutting with the upper quadrant of the wheel where possible. Be especially cautious for a pinching of the wheel in this area, which can cause severe reactive forces in a rotational kickback motion.



Be alert to potential movement of the work piece or anything else that could cause the cut to close and pinch the wheel. In order to reduce the risk of pinching, support the work piece in such a way that the cut remains open during the cutting process and when the cut is finished (see illustration). Never make a cut that results in a binding of the wheel.

### **Warning!**

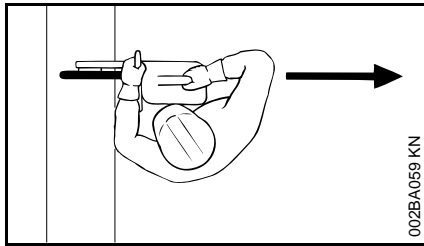
Be particularly alert when cutting a work piece that, if not properly supported, can sag upon completion of the cut, creating a pinch not where you are actually cutting but, rather, at or near the top of the work piece (see illustration). If that pinch is in the upper quadrant of the abrasive wheel, kickback can result.

### **Warning!**

Use only cutting attachments authorized by STIHL. Never use chipped abrasive wheels, circular saw blades, carbide-tipped blades, rescue blades or wood-cutting or toothed blades of any nature on a cut-off machine. The use of such wheels or blades will greatly increase the risk of loss of control and severe personal injury or death from reactive forces, since the chipped section of an abrasive wheel, or the teeth of a saw blade may catch in the material being cut and generate substantially greater reactive forces, including rotational kickback.

Cut-off machines are designed for use with abrasive wheels in good condition **only**. Machines designed for use with wood-cutting or other toothed blades use different types of guarding systems which provide the protection necessary for those types of blades. Machines, such as a cut-off machine, that are designed for use with abrasive wheels, require a different guarding system, which is not designed to provide protection against all dangers presented by circular saw blades, carbide-tipped blades, rescue blades or wood-cutting or toothed blades of any nature.





### **⚠ Warning!**

To reduce the risk of injury from loss of control from reactive forces, including kickback:

1. Hold the cut-off machine firmly with both hands.
2. Maintain good balance and footing at all times. Never cut while standing on a ladder.
3. Position the cut-off machine in such a way that your body is clear of the cutting attachment. Avoid standing in direct line with the wheel. Never bend over the cutting attachment, especially when the guard is pulled back towards the top and there is a risk of reactive forces.

4. Do not cut above shoulder height.
5. Do not cut wood or any other material for which the abrasive wheel is not authorized.
6. Never use circular saw blades, carbide-tipped blades, rescue blades, wood-cutting blades or toothed blades of any nature. Their use increases the risk of injury from blade contact, thrown tips and reactive forces, including kickback.
7. Begin cutting and continue at full throttle.
8. Do not overreach.
9. Use your cut-off machine for cutting only. It is not designed for prying or shoveling away any objects.
10. Be especially alert for reactive forces, including kickback, when cutting with the front and upper quadrant of the wheel.
11. Be alert to shifting of the work piece or anything that could cause the cut to close and pinch the wheel, especially in the upper quadrant. Support the work piece in such a way that the cut remains open. Never make a cut that results in a binding of the wheel.
12. Use wet cutting if feasible. In a pinch situation the water can act as a lubricant and reduce the energy of reactive forces.
13. Release the pressure on the cut-off machine as you reach the end of the cut. Too much pressure may cause the operator to lose control of the cut-off machine when the abrasive wheel completes the cut. The abrasive wheel may contact the operator or strike some foreign object and shatter.
14. Use extreme caution when reentering a cut and do not turn the wheel at an angle or push the wheel into the cut as this may result in a pinching of the wheel.

### **Gyroscopic Forces**

Be alert for gyroscopic forces that are caused by the rapid spinning of the cut-off wheel. These forces result in opposition to directional change, e.g. when the operator attempts to move the machine in a sideways direction.

## Maintenance, Repair and Storing of the Cut-Off Machine

**Maintenance, replacement, or repair of the emission control devices and systems may be performed by any nonroad engine repair establishment or individual. However, if you claim warranty for a component which has not been serviced or maintained properly or if nonapproved replacement parts were used, STIHL may deny warranty.**

Never operate a cut-off machine that is damaged, improperly adjusted or not completely or securely assembled. Follow the maintenance and repair instructions in the appropriate section of your owner's manual.

### **Warning!**

Use only STIHL replacement parts for maintenance and repair. Use of parts manufactured by others may cause serious or fatal injury.

### **Warning!**

Always stop the machine, make sure that the wheel is stopped, and remove the spark plug boot from the spark plug before doing any maintenance or repair work or cleaning the cut-off machine. Do not attempt any maintenance or repair work not described in your instruction manual. Have such work performed at your STIHL service shop only.

Clean off grinding dust after finishing work. Tighten all nuts, bolts and screws except the carburetor adjustment screws after each use.

### **Warning!**

Never test the ignition system with spark plug boot removed from spark plug or with unseated spark plug, since uncontained sparking may cause a fire.

### **Warning!**

To reduce the risk of fire and burn injury, use only spark plugs authorized by STIHL. Always press spark plug boot snugly onto spark plug terminal of the proper size. (Note: If terminal has detachable SAE adapter nut, it must be attached.) A loose connection between spark plug terminal and ignition wire connector in the boot may create arcing that could ignite combustible fumes and cause a fire. Keep spark plug clean, and make sure ignition lead is in good condition.

### **Warning!**

Do not operate your cut-off machine if the muffler is damaged, missing or modified. An improperly maintained muffler will increase the risk of fire and hearing loss. Never touch a hot muffler or spill fuel or other flammable liquid over it. Burn injuries or fire will result. If your muffler was equipped with a spark-arresting screen to reduce the risk of fire (e. g. in the USA, Canada and Australia), never operate your cut-off machine if the screen is missing or damaged.

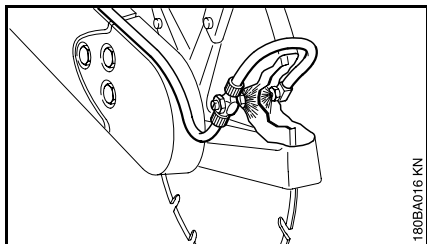
For any maintenance please refer to the maintenance chart and to the warranty statement near the end of the instruction manual.

Store wheels on a flat surface in a dry place, preferably at a constant temperature, where there is not a risk of frost. Do not store a cut-off machine with a wheel mounted on the machine. Store cut-off machine in a high or locked place, away from children.

Empty the fuel tank before storing for longer than a few days. Store fuel only in correctly labeled and approved containers. Avoid direct skin contact and do not inhale the gas vapors.

## Application Examples

### Most diamond cutting wheels are suitable for wet cutting



### Wet cut whenever feasible. It increases the service life and cutting speed of diamond cutting wheels

Ensure that the cutting wheel is generously supplied with water, up to 10 liters per minute.

### Wet cutting helps to suppress dust.

The water binds the dust.

The cutting wheel must be supplied with at least 0.6 liters water per minute.

**Wet cutting can reduce the energy of reactive forces.** In a pinch situation, the water can act as a lubricant.

### Water connection

- A water attachment kit is mounted on the machine, for use with all types of water supply.
- A pressurized 10 liter water tank is available from STIHL for dust suppression.
- A water tank for mounting on the Cutquik cart is also available for dust suppression.

### Composite resin cutting wheels can be used for dry cutting of metals or for wet or dry cutting of concrete, stone or masonry.

Special procedures must be followed when dry cutting with a composite non-diamond wheel. See in the section entitled „Wet Cutting with Composite Wheels“ in the safety precautions of this manual. Wet cutting is generally not suitable for cutting metals.

### Respiratory protection



When wet cutting is not utilized, the operator and any bystanders should always wear a respirator approved by NIOSH/MSHA for the material being cut.

### Points to be noted with diamond and composite resin cutting wheels

#### Object to be cut

- Must be fully supported
- Must be secured so that it cannot roll or slip away
- Must be protected against vibration

#### The cutting sequence

The cutting sequence is important when cutting openings and recesses, etc. The last cut must always be made in such a way that the cutting wheel cannot become bound and so that the user is not at risk of being injured by the part that has been cut off or out.

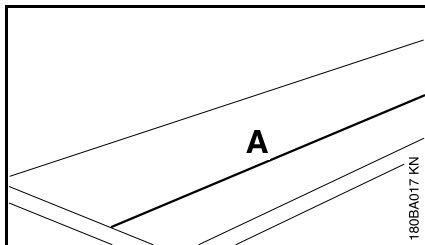
If applicable, leave small ridges of uncut material to hold the severed part in position. These ridges can subsequently be broken through.

A number of points must be decided before the part is finally severed:

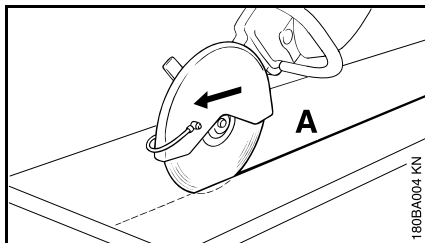
- How heavy is the part?
- In which direction can it move after being severed?
- Is it under tension?

Helpers must not be put at risk of injury when the part is broken off or out.

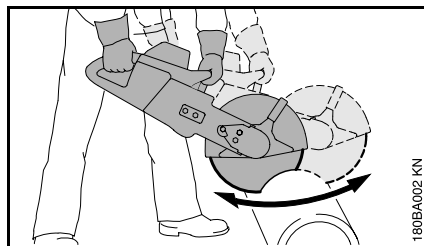
## Cutting in several passes



A = Mark cutting line



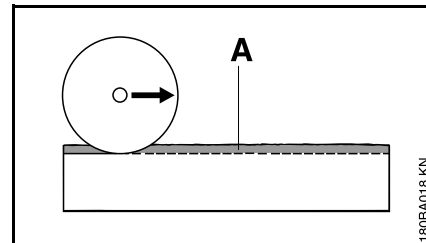
- Work along the cutting line. If corrections are necessary, always reposition the cutting wheel, taking care to ensure that it is not wedged. The cutting depth per pass should not exceed 5 to 6 cm (2" to 2 1/2"). Thicker material must be cut in several passes.



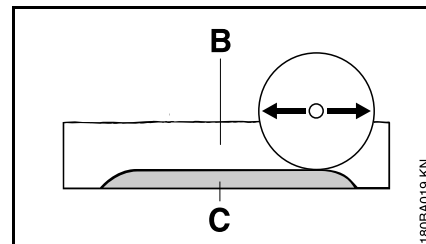
- Thick-walled workpieces should be cut with a uniform swinging movement, back and forth.

## Cutting slabs

- Place the slab securely on a non-slip surface.

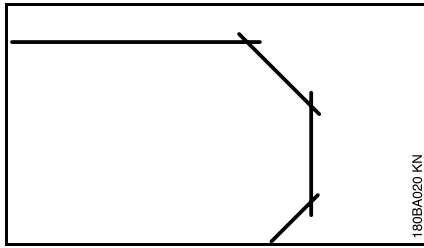


A = Cut a guiding groove along the marked line.



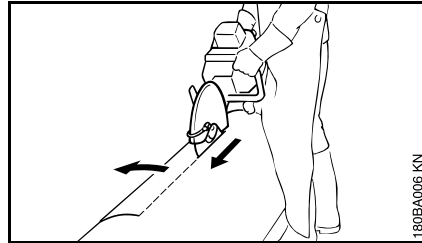
B = Cut deeper into the parting cut with uniform back-and-forth movements.  
 C = Leave a ridge of uncut material.

- Cut through the slab at the ends so the material does not chip.
- Then break the slab.



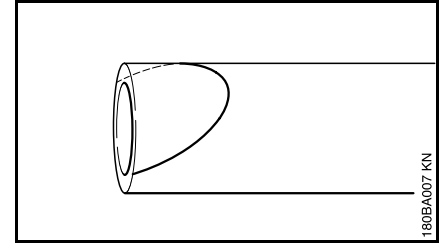
- Curves must be cut in several straight passes, taking care to ensure that the cutting wheel does not become wedged.

### Cutting round and hollow workpieces



- Pipes and round objects, etc. must be secured so that they cannot roll.
- Avoid reinforcing elements, especially in the direction of the cut, when deciding on the cutting line.
- Cut a guiding groove along the marked line.
- Cut deeper into the parting cut with uniform back-and-forth movements. Advance the cutting wheel along the guiding groove at full cutting depth. Always reposition the cutting wheel, taking care not to wedge it, if the cutting direction has to be corrected slightly. If necessary, leave small ridges of uncut material to hold the severed part in position. These ridges can subsequently be broken through.

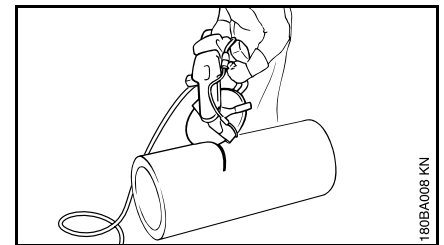
### Cutting shapes on pipes



- Mark the cutting line.

#### **Warning!**

Particular care and precision are required for free-hand cutting along such cutting lines. Avoid side-loading the wheel or causing it to bind.

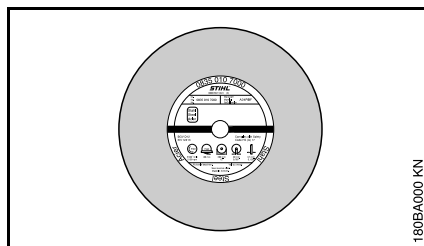


- Cut a guiding groove along the marked cutting line, starting at the top and moving out towards both sides.
- Cut into the pipe or round object, etc. at the ends of the cutting line so that the material does not chip.

## STIHL composite resin cutting wheels

## STIHL diamond cutting wheels

- Cut deeper into the parting cut with uniform back-and-forth movements, starting at the top and moving out towards the sides. Advance the cutting wheel along the guiding groove at full cutting depth. Always reposition the cutting wheel afresh, taking care not to wedge it if the cutting direction has to be corrected slightly. If necessary, leave small ridges of uncut material to hold the severed part in position. These ridges can subsequently be broken through.

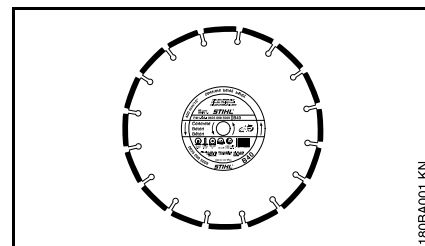


Economic benefit is improved and premature wear can be avoided by choosing and using the correct composite resin cutting wheel. The short name (e.g. "asphalt", "concrete")

- on the label and
- on the packaging (table with recommended uses)

can help to ensure the correct choice.

STIHL composite resin cutting wheels cannot be used to cut railway tracks.

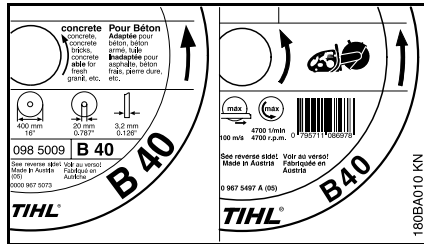


Economic benefit is improved and premature wear can be avoided by choosing and using the correct diamond cutting wheel. The short name (see following explanation)

- on the label and
- on the packaging (table with recommended uses)

can help to ensure the correct choice.

## Short names



The short name is a combination of letters and numerals with up to four digits:

- The letters indicate the main area of use for the cutting wheel.

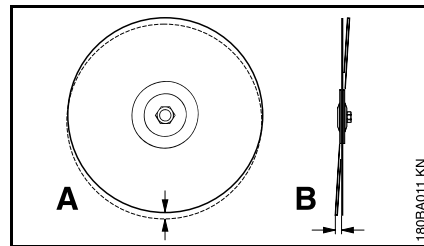
Letter	Main area of use
<b>A</b>	Asphalt
<b>B</b>	Concrete
<b>S</b>	Stone (rock)

- The numerals indicate the performance class of the STIHL diamond cutting wheel.

## Radial and axial run-out

A correctly mounted spindle bearing on the cut-off machine is essential for a long service life and efficient operation of the diamond cutting wheel.

Using a cutting wheel on a cut-off machine with defective spindle bearing can lead to axial and radial run-out.



Excessive radial run-out (**A**) causes individual diamond segments to be overloaded and to overheat. This can in turn lead to stress cracking in the wheel core or to softening of individual segments.

Axial run-out or wobble (**B**) results in higher thermal stress and wider cuts.

## Troubleshooting

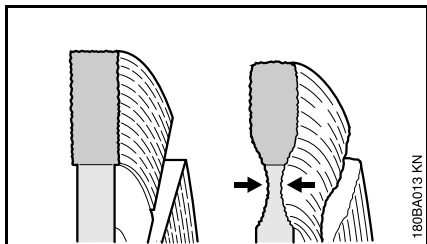
### Cutting wheel

Problem	Cause	Remedy
Frayed edges or tears, cut wanders out of line, increased wear at the sides of the segments	Radial or axial run-out	Consult a dealer <sup>1)</sup>
	Cutting wheel wobbles	Use a new cutting wheel
Frayed edges, cut wanders out of line, little or no cutting performance, sparking	Cutting wheel is blunt; built-up edges on cutting wheels for stone	Dress the cutting wheel for stone by briefly cutting in abrasive material; use a new cutting wheel for cutting asphalt
Poor cutting performance, high level of segment wear	Cutting wheel rotates in the wrong direction	Mount the cutting wheel with correct direction of rotation
Chipping or cracking in the wheel core and segments	Overload	Replace immediately with a new cutting wheel
Undercutting	Cutting in a material for which the wheel is not rated	Use a new cutting wheel; note the different cutting layers in different materials

<sup>1)</sup> STIHL recommends that a STIHL servicing dealer be consulted.



### Undercut

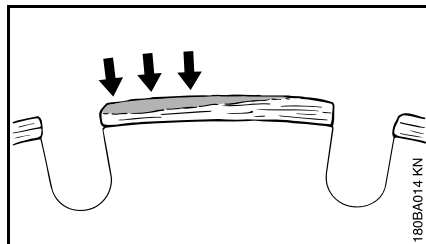


Undercutting is a wearing away of the steel core at or just below the diamond segments. When cutting road surfaces, do not cut through into the more abrasive ballast (gravel, crushed rock) below, as indicated by a light colored dust. This can cause excessive undercutting, resulting in wheel breakage and/or thrown segments.

#### **Warning!**

Immediately replace a diamond wheel if the core has been severely undercut

### Built-up edges, dressing



Built-up edges are identified by a pale grey deposit on the top of the diamond segments that clogs and blunts the segments.

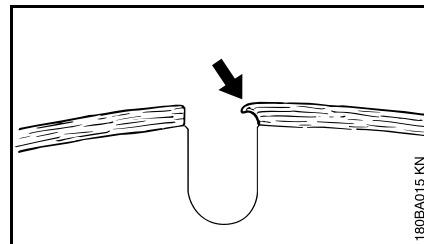
Built-up edges can form:

- when cutting extremely hard material, such as granite,
- as a result of incorrect handling, such as applying excessive feed force,
- if extremely large sections are cut without a pendulum movement (back and forth in the cutting plane).

Built-up edges increase vibrations, reduce cutting performance and cause sparking.

Diamond cutting wheels must be "dressed" at the first sign of built-up edges. For this purpose, briefly cut a more abrasive material, such as sandstone, aerated concrete or asphalt.

Wet cutting helps to prevent the formation of built-up edges.

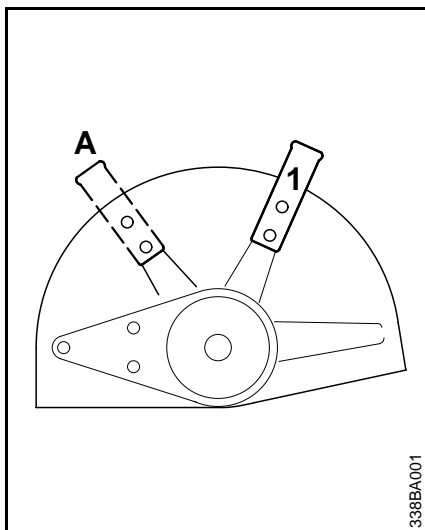


If you continue to use a cutting wheel with blunt segments, the segments may soften as a result of excessive heat built up. The wheel core will also overheat and lose its mechanical strength. This can lead to considerable stress, as clearly indicated by stress cracks and/or a wobbling movement of the cutting wheel.

#### **Warning!**

Such cutting wheels may break apart or throw off segments during use, causing serious or fatal injury. Replace them immediately.

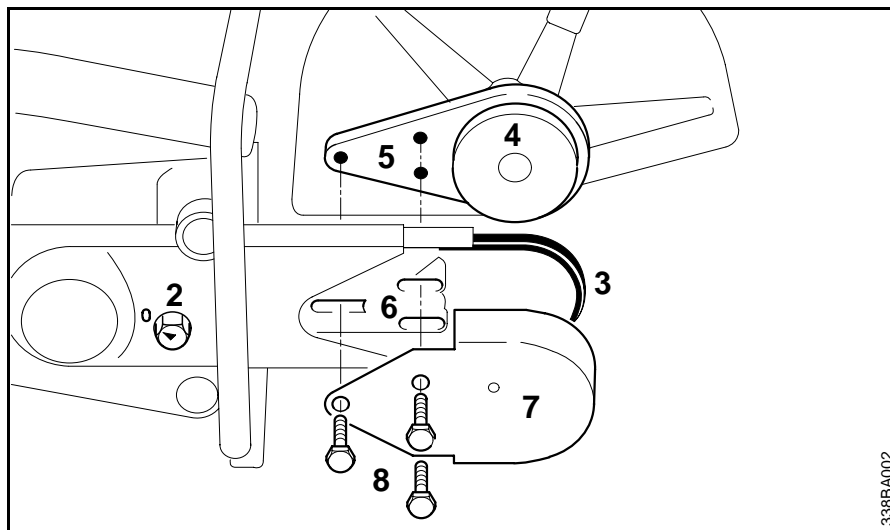
## Assembling the bearing and guard



The bearing with guard can be mounted on the **inboard** or **outboard** side of the cast arm, depending on requirements. Assembly on the inboard side is recommended for freehand cutting on account of the better balance; outboard mounting is recommended when the machine is mounted on a STIHL cut-off machine cart.

For outboard mounting:

- Secure adjustable handle (1) in position A.



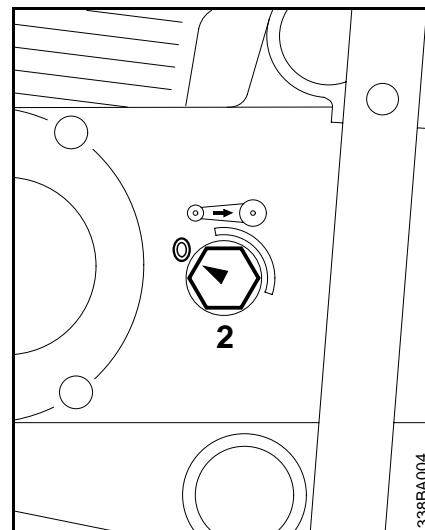
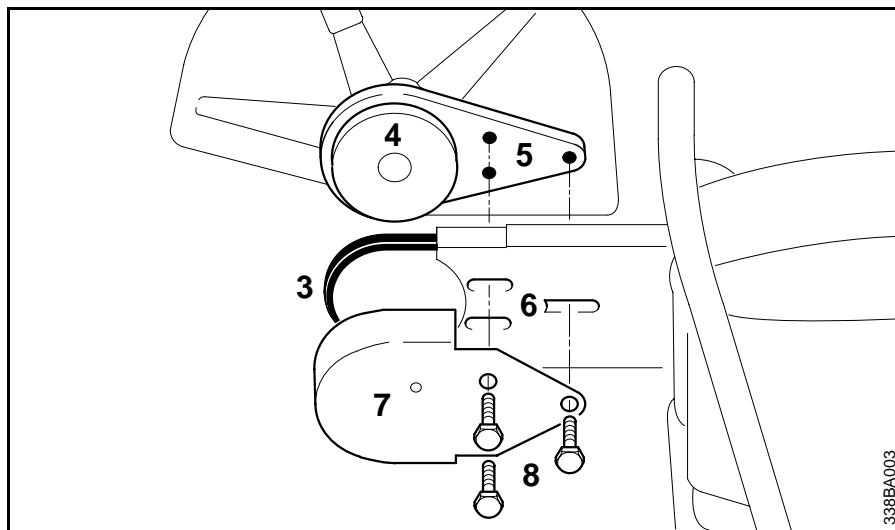
### Inboard mounting

- The arrow on the tensioning nut (2) must point to "0", otherwise:
- Turn the tensioning nut approx. 1/4 turn anticlockwise as far as the stop = "0" with the combination wrench.
- Fit the V-belt (3) on the V-belt pulley (4).

- Line up the threaded bores in the bearing plate (5) with the slots in the cast arm (6).
- Fit the V-belt guard (7).
- Screw in the hexagon bolts (8) as far as the stop, but do not tighten them yet.

Continue as described in the chapter "Tensioning the V-belt"

## Tensioning the V-belt



### Outboard mounting

- The arrow on the tensioning nut (2) must point to "0", otherwise:
- Turn the tensioning nut approx. 1/4 turn anticlockwise as far as the stop = "0" with the combination wrench.
- Fit the V-belt (3) on the V-belt pulley (4).

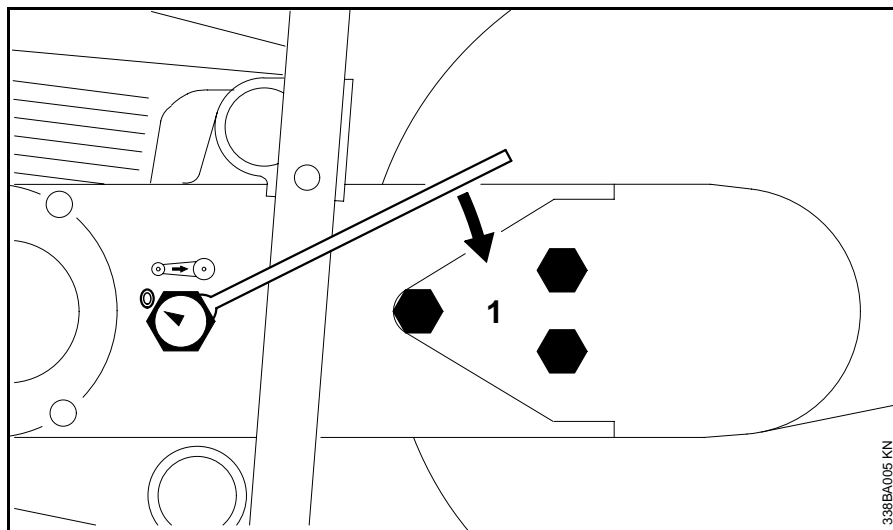
- Line up the threaded bores in the bearing plate (5) with the slots in the cast arm (6).
- Fit the V-belt guard (7) on the inboard side.
- Screw in the hexagon bolts (8) as far as the stop, but do not tighten them yet.

Continue as described in the chapter "Tensioning the V-belt"

This machine is equipped with an automatic spring-loaded V-belt tensioning device.

- Before tensioning the V-belt, the hexagon bolts (8) must be unscrewed and the arrow on the tensioning nut (2) must point to "0". If not:
- Unscrew the hexagon bolts and turn the tensioning nut approx. 1/4 turn anticlockwise as far as the stop = "0" with the combination wrench.

## Abrasive wheels



To tension the V-belt:

- Fit the combination wrench over the tensioning nut as illustrated

**⚠** The tensioning nut is spring-loaded: the combination wrench must therefore be held securely!

- Turn the tensioning nut clockwise. The spring force begins to act on the tensioning nut after approx. 1/8 turn and turns it on as far as the stop (approx. 1/8 turn)

Do not use force to turn the combination wrench further!

The V-belt is **automatically** tensioned by the force of the spring in this position.

- Remove the combination wrench from the tensioning nut and tighten the three hexagon bolts on the V-belt guard

### Retensioning

The V-belt is retensioned without adjusting the tensioning nut

- Unscrew the hexagon bolts (1) on the V-belt guard
- The V-belt is **automatically** tensioned by the force of the spring
- Retighten the hexagon bolts

The abrasive wheels are subjected to extremely high loads, especially when cutting free-hand.

The abrasive wheels developed by STIHL in cooperation with leading wheel manufacturers are of very high quality and precisely matched to the application in question, as well as to the engine power of the respective cut-off machines.

They are of consistently outstanding quality, with high axial and radial runout.

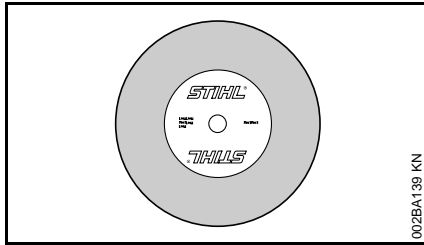
### Transport and storage

- The abrasive wheels must not be exposed to direct sunlight or other sources of heat during transport and storage
- Avoid knocks and bumps
- Spare abrasive wheels must be stored in a dry place at constant temperature, stacked one on top of the other on a flat surface, in their original packaging.
- Diamond abrasive wheels must not be stored near corrosive liquids
- Composite abrasive wheels must be protected against frost

## Fitting / replacing an abrasive wheel

### Choosing an abrasive wheel

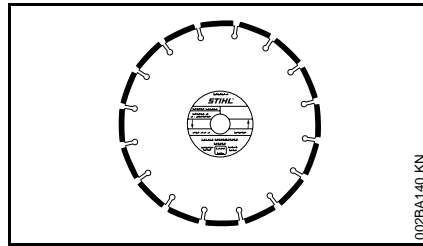
STIHL abrasive wheels can be used to cut the following materials:



### Composite abrasive wheels

(depending on type) can be used for

- Asphalt
- Concrete
- Stone
- Ductile cast pipes
- Steel

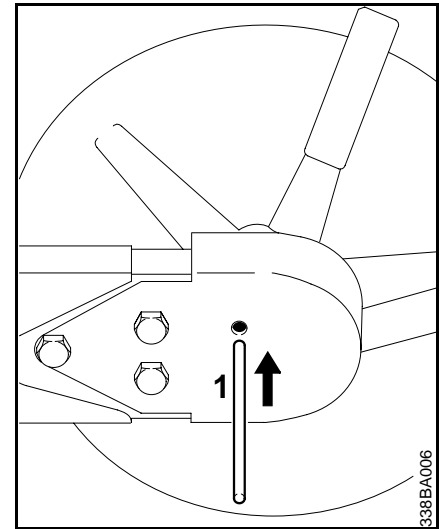


### Diamond abrasive wheels

(depending on type) can be used for

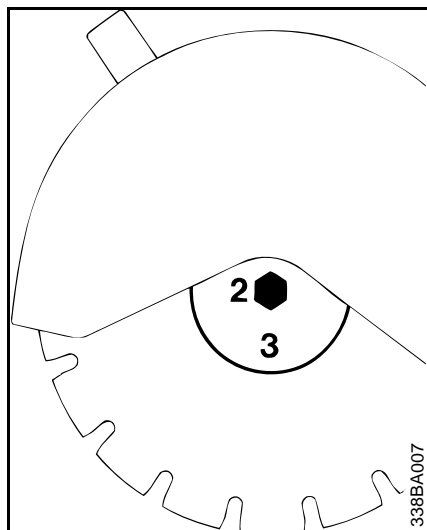
- Asphalt
- Concrete
- Stone (hard rock)
- Abrasive concrete
- Green concrete
- Clay bricks
- Clay pipes

Diamond abrasive wheels cannot be used to cut metal.

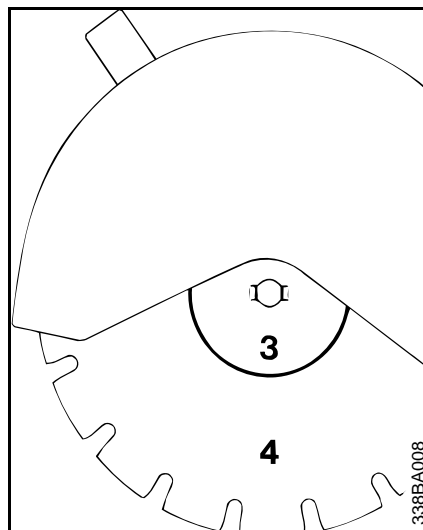


The engine must be switched off when fitting or replacing an abrasive wheel – slide control / stop switch to "0" or 1

- In order to block the arbor, slide the locking pin (1) through the bore in the V-belt guard (turn the arbor a short distance with the combination wrench if necessary) until the locking pin engages in one of the bores behind the guard.



- Use the combination wrench to loosen and unscrew the hexagon bolt (2).
- Remove the front thrust washer (3) from the arbor together with the abrasive wheel to be replaced.



- Fit the abrasive wheel (4).
- ⚠ Note the arrows indicating the sense of rotation on diamond abrasive wheels.
- Fit the front thrust washer (3). The catches of the front thrust washer must engage in the arbor grooves.
- Fit the hex head screw and **tighten it down firmly** with the combination wrench (or to about 30 Nm if you use a torque wrench)
- Draw the locking pin out of the V-belt guard.

💡 Two diamond wheels of the same type can also be used together if a wider cut is required (e.g. for laying induction loops in carriageways).

It is essential to ensure that the segments are positioned exactly side by side in such a case.

⚠ However, two composite abrasive wheels must **never** be used simultaneously, for they can **break and cause injuries** as they wear down unevenly.

## Fuel

This engine is certified to operate on unleaded gasoline and the STIHL two-stroke engine oil at a mix ratio of 50:1.

Your engine requires a mixture of high-quality gasoline and quality two-stroke air cooled engine oil.

Use mid-grade unleaded gasoline with a minimum octane rating of 89 (R+M/2). If the octane rating of the mid-grade gasoline in your area is lower, use premium unleaded fuel.

Fuel with a lower octane rating may increase engine temperatures. This, in turn, increases the risk of piston seizure and damage to the engine.

The chemical composition of the fuel is also important. Some fuel additives not only detrimentally affect elastomers (carburetor diaphragms, oil seals, fuel lines, etc.), but magnesium castings and catalytic converters as well. This could cause running problems or even damage the engine. For this reason STIHL recommends that you use only nationally recognized high-quality unleaded gasoline!

Use only STIHL two-stroke engine oil or equivalent high-quality two-stroke engine oils that are designed for use only in air cooled two-cycle engines.

We recommend STIHL 50:1 two-stroke engine oil since it is specially formulated for use in STIHL engines.

Do not use BIA or TCW rated (two-stroke water cooled) mix oils or other mix oils that state they are for use in both water cooled and air cooled engines (e.g., outboard motors, snowmobiles, chainsaws, mopeds, etc.).

Take care when handling gasoline. Avoid direct contact with the skin and avoid inhaling fuel vapor. When filling at the pump, first remove the canister from your vehicle and place the canister on the ground before filling. Do not fill fuel canisters that are sitting in or on a vehicle.

The canister should be kept tightly closed in order to avoid any moisture getting into the mixture.

The machine's fuel tank and the canister in which fuel mix is stored should be cleaned as necessary.

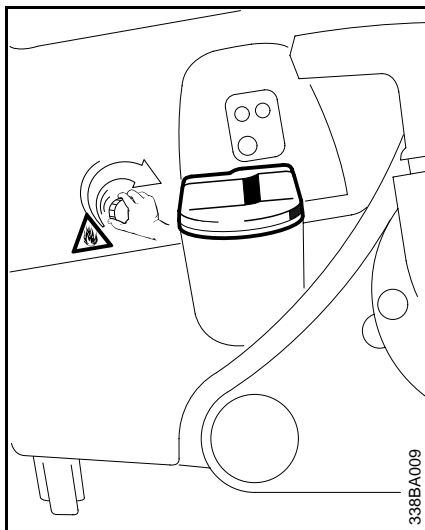
### Fuel mix ages

Only mix sufficient fuel for a few days work, not to exceed 3 months of storage. Store in approved fuel-canisters only. When mixing, pour oil into the canister first, and then add gasoline. Close the canister and shake it vigorously by hand to ensure proper mixing of the oil with the fuel.

Gasoline	Oil (STIHL 50:1 or equivalent high-quality oils)
US gal.	US fl.oz
1	2.6
2 1/2	6.4
5	12.8

Dispose of empty mixing-oil canisters only at authorized disposal locations.

## Fueling

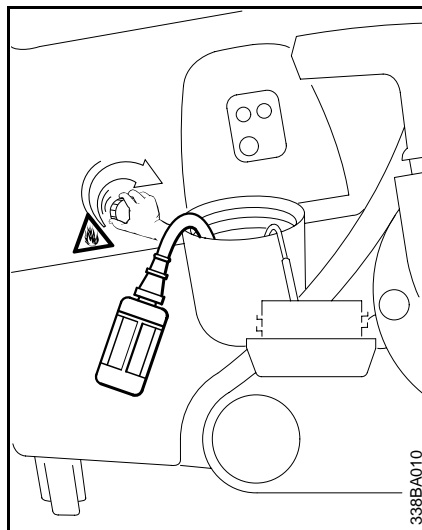


Before fueling, clean the filler cap and the area around it to ensure that no dirt falls into the tank.

Always thoroughly shake the mixture in the canister before fueling your machine.

**⚠** In order to reduce the risk of burns or other personal injury from escaping gas vapor and fumes, remove the fuel filler cap carefully so as to allow any pressure build-up in the tank to release slowly.

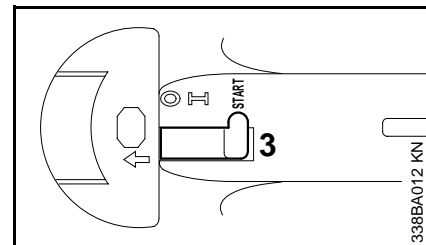
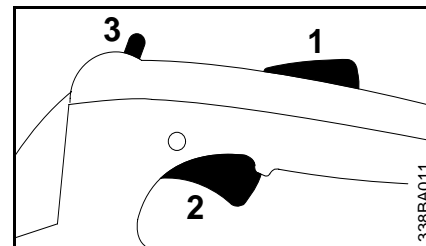
**⚠** After fueling, tighten fuel cap **as securely as possible** by hand.



### Change the fuel pick up body every year.

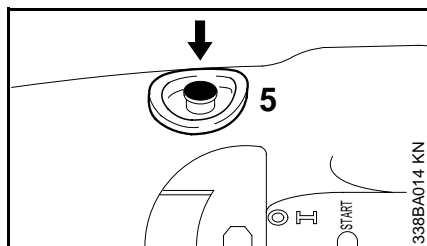
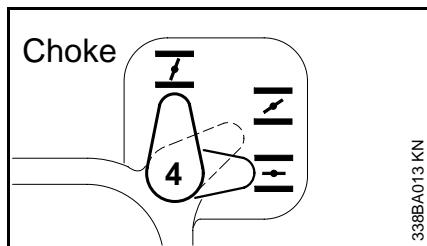
- Before storing your machine for a long period, drain and clean the fuel tank and run engine until carburetor is dry.

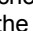
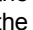
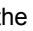
## Starting / stopping the engine

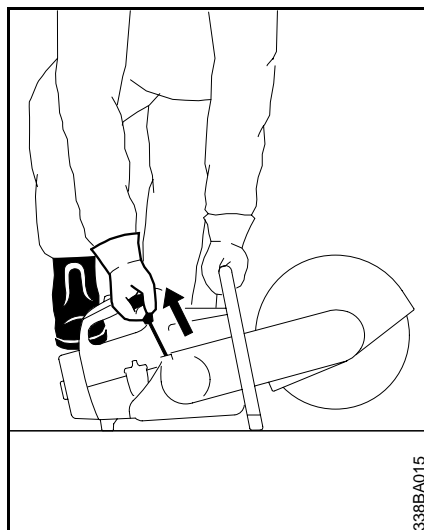


- Note the safety instructions. Refer to the chapter headed "Safety precautions".
- Press the throttle trigger interlock (1) and throttle trigger (2) at the same time
- Hold both triggers down
- Move the control lever (3) to **START** and hold it in this position
- Then release the throttle trigger, control lever and throttle trigger interlock in succession = **starting throttle position**

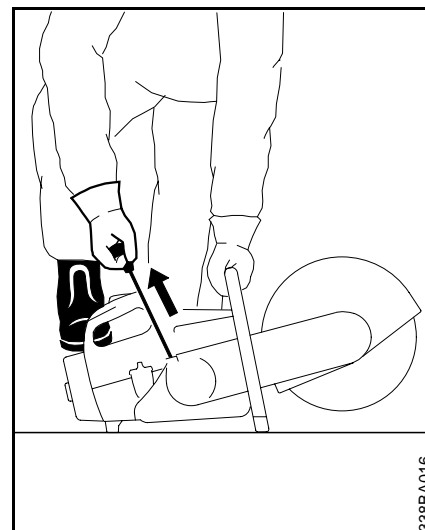




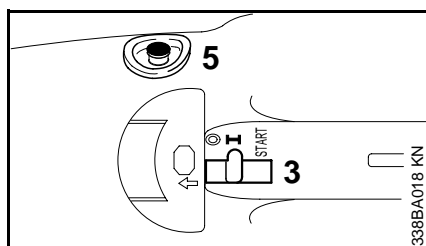
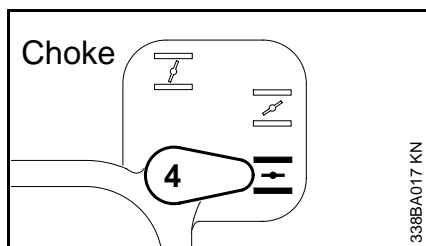
- Set the choke lever (4):  
to  if the engine is cold  
to  if the engine is warm  
(even if the engine has already run but is still cold)  
to  if the engine is hot  
(latched position for warm start)
- Press the button of the decompression valve (5). This button must be pressed again **before each fresh attempt to start** the engine.




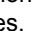
- Place the cut-off machine on the ground, keep a good balance and ensure that the abrasive wheel cannot touch any objects or the ground. There must not be anyone within the swivel range of the cut-off machine.
- Press the cut-off machine firmly against the ground, holding with the left hand, thumb wrapped round the handle.
- Place your right foot through the rear handle.



- With your right hand, slowly pull out the starter handle as far as the stop, then pull it through quickly and strongly. Do not pull the rope out completely.
  - ⚠ The rope may break!  
Do not let the starter handle snap back: guide it back into place so that the starter rope is wound up correctly.
- If the engine is new, pull the starter rope through several times to ensure that sufficient fuel is delivered.

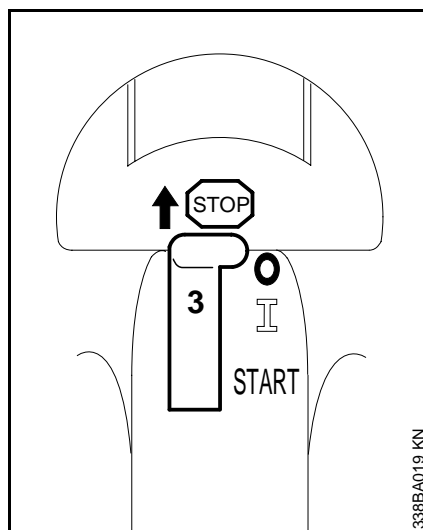


#### When the engine has turned over for the first time:

- Move the choke lever (4) to 
- Press the button of the decompression valve (5) again before each fresh attempt to start the engine.
- As soon as the engine is running, briefly blip the throttle trigger, the control lever (3) returns to its normal position  and the engine idles.

If the carburetor has been set correctly, the abrasive wheel must not turn when the engine idles.

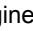
The cut-off machine is now ready for use.

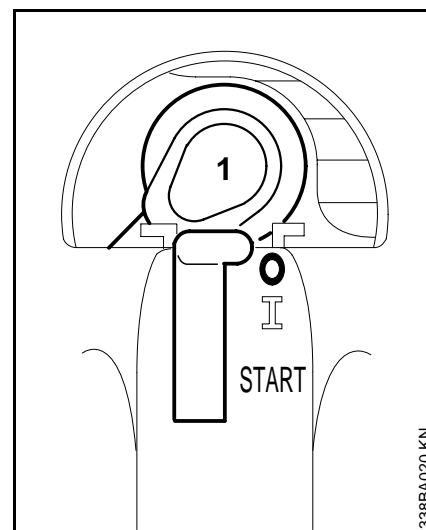


#### To switch off the engine:


- Move the control lever (3) to "0" 


**If the temperature is very low,** let the engine warm up.

- Briefly blip the throttle trigger when the engine has started = disengage starting throttle position. The control lever reverts to its normal position  and the engine idles.
- Gently press the throttle trigger and let the engine warm up.




#### If the engine refuses to start:

The choke lever was not returned to its warm start position =  when the engine turned over for the first time and it has now been flooded.

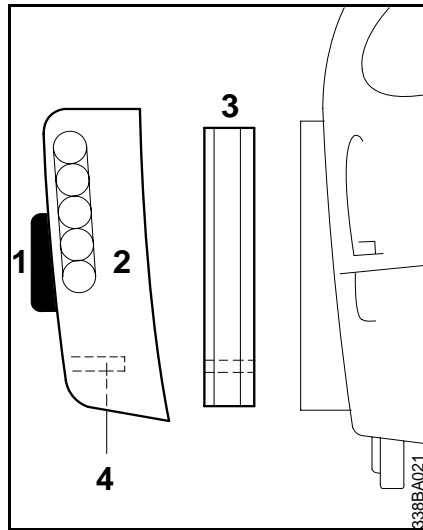
- Disconnect the spark plug terminal (1).
- Unscrew and dry the spark plug.
- Set the control lever to "0" 
- Press the throttle trigger in completely.
- Pull the starter rope through several times to vent the combustion chamber.
- Replace the spark plug and reconnect the spark plug terminal.

## Cleaning the air filter

- Set the control lever to START = **starting throttle position**
- Set the choke lever to  = warm start position, even if the engine is cold
- Restart the engine

If the tank has been drained completely and then refilled:

- Pull the starter rope through several times until sufficient fuel is delivered.



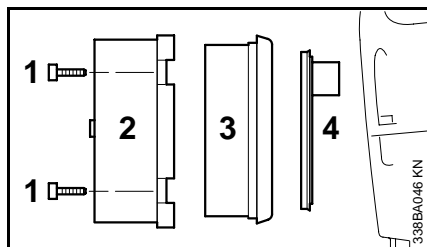
- Remove any coarse dirt inside the filter cover
- Replace the prefilter in the filter cover so that the dowel pin (4) fits into the opening in the filter.
- Refit the filter cover.

Soiled air filters will reduce the engine performance, increase fuel consumption and make it more difficult to start the machine.

### If the engine performance declines tangibly:

- Unscrew the locking nut (1) on the filter cover
- Remove the filter cover (2)
- Remove the prefilter (3) from the filter cover

Wet prefilters must be dried before being knocked or blown clean.  
Replace if damaged.



Maintenance work on the main filter and auxiliary filter should only be carried out at the depot or service shop.

- Remove screws (1)
- Remove filter casing (2)
- Pull main filter (3) out of filter casing and check. It must be replaced if soiled or damaged.

💡 The auxiliary filter must always be replaced together with the main filter.

- Set choke lever to  $\overline{I}$
- Peel the auxiliary filter (4) away from the bottom of the filter and check. It must be replaced if damaged. Ensure that dirt cannot enter the intake area when removing the auxiliary filter.
- Clean the filter chamber and refit all filter components

- Replace the filter cover
- Retighten the locking nut

### Filter system

The quality of the filter elements used is particularly important on account of the special conditions prevailing when using a cut-off machine (extremely high dust loads and high dynamic loads).

STIHL air filters have been specially designed for use in cut-off machines and therefore meet the special requirements imposed with regard to their mechanical design, the materials used and the manufacturing quality.

- Extremely uniform pore size, folds and strength of the filter paper
- High compression strength and dimensional accuracy of the filter cartridges

All the air filter components in this machine are matched with one another as regards filter capacity and air permeability.

Only original STIHL air filters should therefore be used. The high quality standard of these parts coupled with the specified maintenance and service work guarantees troublefree operation and a long engine life.

💡 The engine is not always optimally protected against entrained dirt when using filters which appear to fit but are made by other manufacturers. Warranty claims cannot be accepted if the engine parts wear down excessively or the engine is damaged in such cases.

## Motor Management

Exhaust emissions are controlled by the design of the fundamental engine parameters and components (e.g. carburation, ignition, timing and valve or port timing) without the addition of any major hardware.

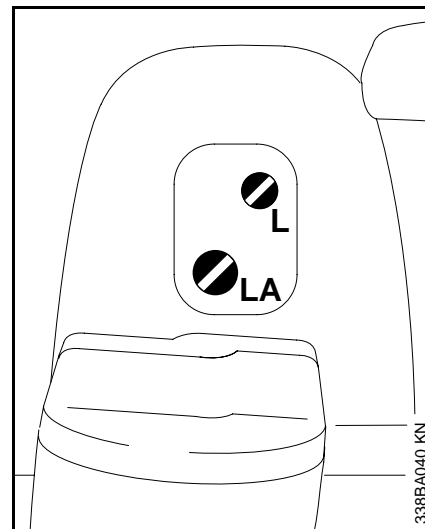
## Adjusting Carburetor

The carburetor is set at the factory to provide an optimum fuel-air mixture under most operating conditions.

Idling and part-load emissions are minimized by limiting the idle mixture.

### Standard setting

- Check the air filter and clean or replace it if necessary.
- Check the spark arresting screen and clean or replace it if necessary.
- Warm up the engine.
- Carefully screw the low speed screw (**L**) down onto its seat. Then open it **one** turn counterclockwise (standard setting, **L = 1**).



### Correction of carburetor setting for higher altitudes

If the engine runs unsatisfactorily, slight readjustment may be necessary:

- Check standard setting.
- Warm up the engine.
- Turn the low speed adjusting screw (**L**) clockwise (leaner).

## Spark arresting screen\* in the muffler

## Checking the Spark Plug

### Setting idling speed

- It is usually necessary to change the setting of the idle speed adjusting screw (**LA**) after every correction to the low speed adjusting screw (**L**).

### Engine stops at idle speed

- Set to standard setting
- Turn the idle speed adjusting screw (**LA**) clockwise until the abrasive wheel starts to run, then back off the screw one quarter of a turn.

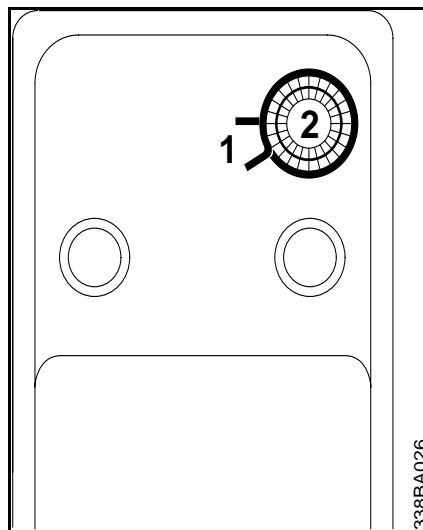
### Abrasive wheel runs on at idle speed

- Set to standard setting
- Turn the idle speed adjusting screw (**LA**) counterclockwise until the abrasive wheel stops running, then turn screw another quarter turn in the same direction.

### Erratic idling behavior, poor acceleration

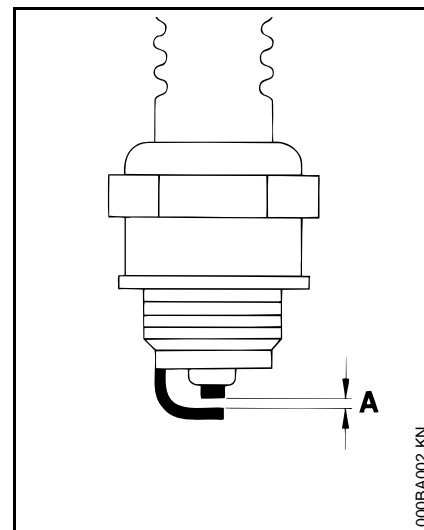
Idle setting is too lean (e.g. at cold ambient temp.):

- Turn the low speed adjusting screw (**L**) counterclockwise - until engine runs and accelerates smoothly.



The spark arresting screen in the muffler must be checked if the engine performance deteriorates.

- Remove the retaining clip (1) and spark arresting screen (2) with suitable pliers
- Clean the soiled spark arresting screen.
- The screen must be replaced if it is damaged or there is a severe build-up of carbon.
- Refit the spark arresting screen and retaining clip



Wrong fuel mix (too much engine oil in the gasoline), a dirty air filter and unfavorable running conditions (mostly at part throttle etc.) affect the condition of the spark plug. These factors cause deposits to form on the insulator nose which may result in trouble in operation.

\* see "Guide to Using this Manual"

If engine is down on power, difficult to start or runs poorly at idling speed, first check the spark plug.

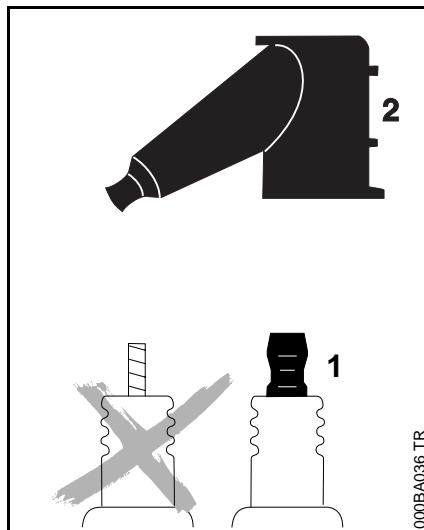
- Remove spark plug – see "Starting / Stopping the Engine".
- Clean dirty spark plug.
- Check electrode gap (**A**) and readjust if necessary – see "Specifications".
- Use only resistor type spark plugs of the approved range.

Rectify problems which have caused fouling of spark plug:

- Too much oil in fuel mix.
- Dirty air filter.
- Unfavorable running conditions, e.g. operating at part load.

**Fit a new spark plug after approx. 100 operating hours**

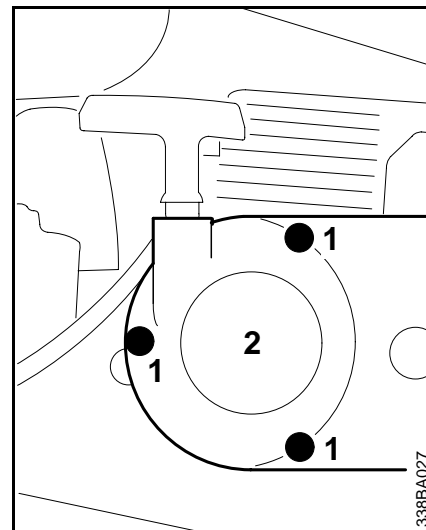
or earlier if the electrodes are badly eroded.



**⚠** To reduce the risk of fire and burn injury, use only spark plugs authorized by STIHL. Always press spark plug boot (**2**) snugly onto spark plug terminal (**1**) of the proper size. (Note: If terminal has detachable SAE adapter nut, it must be attached.)

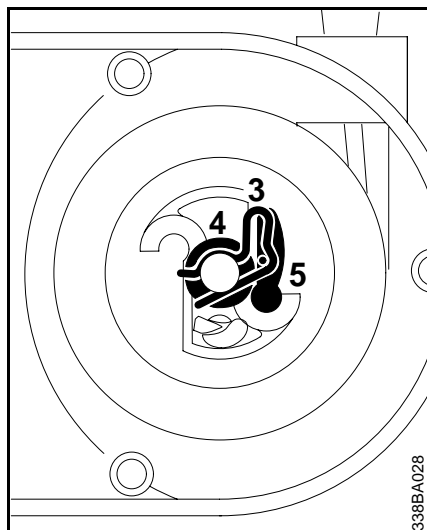
A loose connection between spark plug boot and ignition wire connector in the boot may create arcing that could ignite combustible fumes and cause a fire.

**Replacing the starter rope / rewind spring**

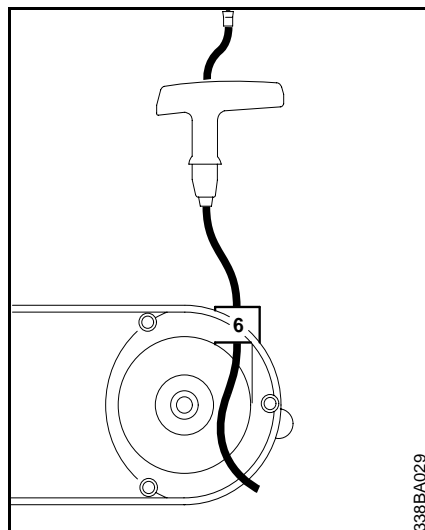


**Replacing the starter rope**

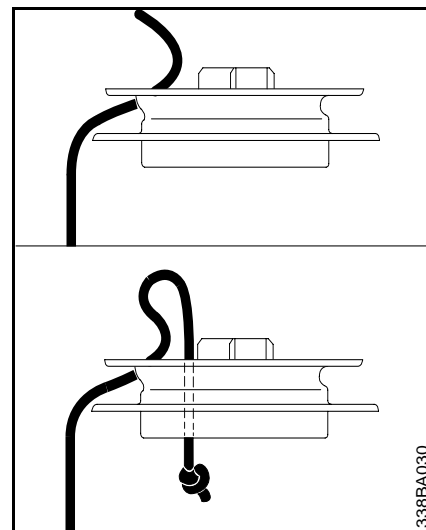
- Undo the screws (**1**)
- Remove the starter cover (**2**) from the engine unit



- Prise off the spring clip (3)
- Remove the rope rotor with washer (4) and pawl (5)

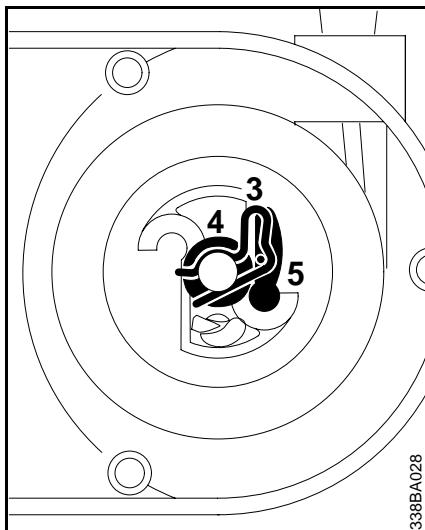


- Using a screwdriver, lever the rope out of the handle
- Remove the remainder of the rope from the pulley and handle
- Thread the new starter rope (see "Specifications") through the starter handle and rope guide bush (6) from top to bottom

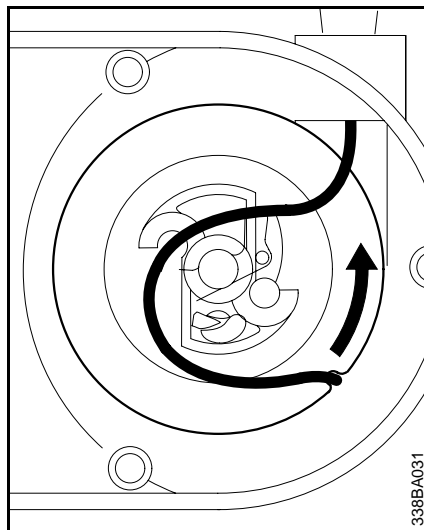


- Pull the starter rope through the pulley and secure it in the rope rotor with a simple knot





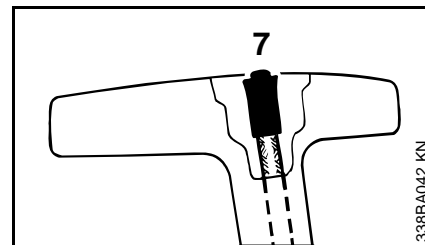
- Slip the rope rotor onto the starter post and turn it back and forth a little until the anchor loop of the rewind spring engages
- Replace the pawl (5) in the rope rotor
- Place the washer (4) on the starter post
- Press the spring clip (3) onto the starter post and over the peg of the pawl with a screwdriver or suitable pliers. The spring clip must point to the right, in clockwise direction as illustrated.



### Tensioning the rewind spring

- Make a loop in the unwound starter rope and use it to turn the rope rotor six full revolutions in the direction of the arrow
- Hold the rope rotor tight, pull out the twisted rope and untangle it
- Release the rope rotor
- Slowly let go of the starter rope so that it is wound up on the rope rotor

The starter handle must be drawn firmly into the rope guide bush. If it tips sideways: increase the spring tension by another turn.

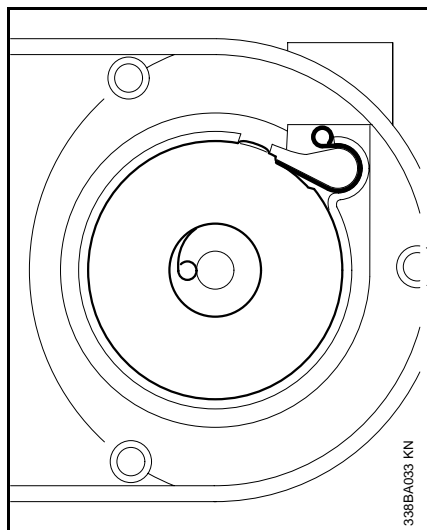


- It must be possible to turn the rope rotor on another half-turn when the rope has been drawn out completely. If this is not possible, the spring has been tensioned too tightly and may break. Remove one turn of the rope from the rotor.
- Refit the starter cover
- Press the remainder of the rope into the handle until the nipple (7) is flush with the handle

### Replacing a broken rewind spring

- Remove the rope rotor as described for "Replacing the starter rope"
- Remove the spring housing and spring parts

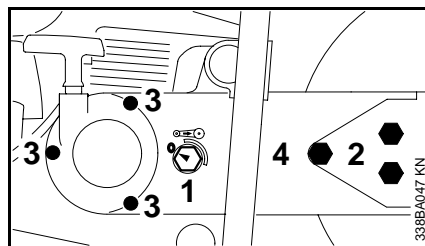
## Replacing the V-belt



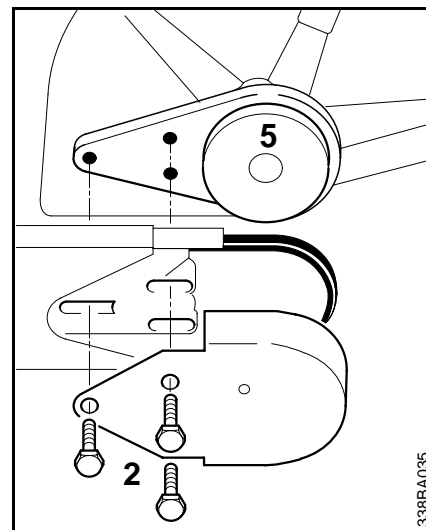
- Fit a new spring housing with the bottom upwards and guide the outer spring loop round the lug
- Refit the rope rotor
- Tension the rewind spring
- Refit the fan housing and screw it into place

If the spring has popped out of the spring housing:

- Replace it, working anticlockwise from the outside inwards



- The arrow on the tensioning nut (1) must point to "0".
- Turn the tensioning nut approx. 1/4 turn anticlockwise as far as the stop = "0" with the combination wrench.
- Unscrew the hexagon bolts (2)
- Remove the V-belt guard and bearing with guard
- Undo the screws (3) in the starter cover
- Remove the starter cover
- Remove the defective V-belt from the cast arm
- Carefully insert the new V-belt in the cast arm and in the V-belt pulley on the engine
- Fit the starter cover
- Hold the bearing with guard against the cast arm



- Insert the V-belt in the V-belt pulley (5)
- Line up the threaded bores in the bearing plate with the slots in the cast arm
- Fit the V-belt guard
- Screw in the hexagon bolts (2) as far as the stop, but do not tighten them yet

Continue as described in the chapter "Tensioning the V-belt".

## STIHL cut-off machine cart\*



Together with the infinitely variable cutting depth gauge wheel (special accessory), the cut-off machine cart ensures accurate, straight cut edges and a constant cutting depth accurate to within a millimetre, particularly when working with diamond abrasive wheels.

The cut-off machine can be mounted on the STIHL cut-off machine cart without any difficulty whatsoever.

The cart makes it very much easier to work with the cut-off machine and is an indispensable aid when

- repairing damaged carriageway pavements
- applying carriageway markings or
- cutting expansion joints.

\* see "Guide to Using this Manual"

## Storing the machine

For periods of three months or more.

- Drain and clean the fuel tank in a well ventilated place.
- Dispose fuel properly in accordance with local environmental requirements.
- Run the engine until the carburetor is dry. This helps to prevent the carburetor diaphragms sticking together.
- Remove the abrasive wheel.
- Thoroughly clean the machine, paying special attention to the cylinder fins and air filter.
- Store machine in a safe and dry place, out of reach of children and other unauthorized persons.

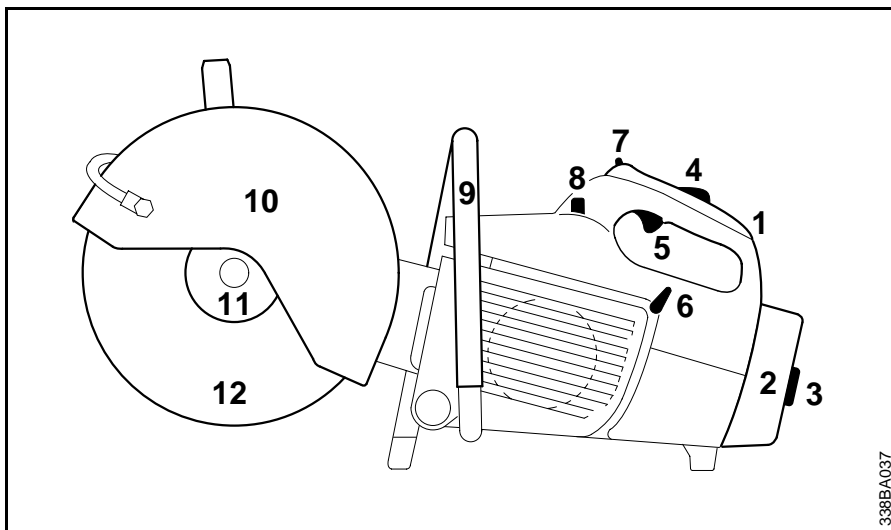
## Maintenance chart

The following information refers to normal operating conditions. The specified intervals must be reduced accordingly when working under aggravated conditions (severe dust formation, etc.) and with longer daily working hours.		Before starting work	After work or daily	Every time after refuelling	Weekly	Monthly	Yearly	In the event of a malfunction	If damaged	As required
Complete machine	Visual inspection (condition, absence of leaks)	X		X						
	Clean		X							
Parts	Functional test	X		X						
Pick-up body in fuel tank	Check							X		
	Replace						X		X	X
Fuel tank	Clean					X				
V-belt	Clean / retension					X				X
	Replace								X	X
Air filter (prefilter, auxiliary filter)	Clean	X						X		
Air filter (all filter components)	Replace								X	X
Cooling air intake ports	Clean		X							
Cylinder fins	Clean		X							
Spark arresting screen* in the muffler	Check		X							
	Clean or replace									X
Carburetor	Check idle speed – abrasive wheel must not run on	X		X						
	Adjust idle speed									X
Spark plug	Adjust electrode gap							X		
	Replace after about 100 operating hours									
Accessible nuts and bolts (but not adjusting screws)	Retighten									X
Rubber buffer (AV element)	Check	X						X		X
	Have replaced by servicing dealer <sup>1)</sup>								X	
Cutting wheel	Check	X		X						
	Replace								X	X
Support / bracket / rubber buffer (bottom side of unit)	Check		X							
	Replace								X	X
Safety labels	Replace								X	

1) STIHL recommends the STIHL dealer

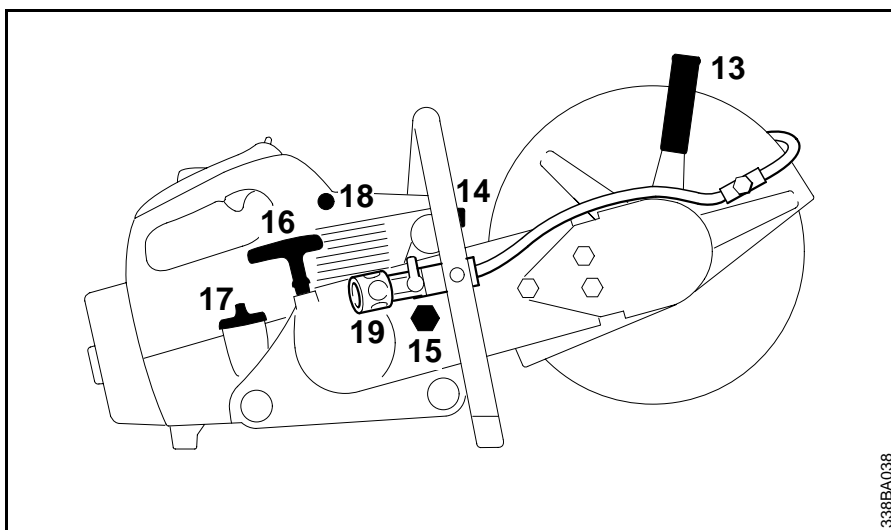
\* see "Guide to Using this Manual"

## Parts and Control



- 1= Rear Handle
- 2= Air Filter
- 3= Wingnut of Filter Cover
- 4= Throttle Trigger Interlock
- 5= Throttle Trigger
- 6= Choke Lever
- 7= Control Lever
- 8= Spark Plug Terminal
- 9= Front Handle
- 10= Wheel Guard
- 11= Thrust Washer
- 12= Abrasive Wheel

338BA037



- 13= Adjusting Lever of Wheel Guard
- 14= Muffer
- 15= Tensioning nut  
(V-belt tensioning system)
- 16= Starter Grip
- 17= Fuel Filler Cap
- 18= Decompression valve
- 19= Water attachment

338BA038

## Definitions

1. **Rear Handle:**  
The support handle for the right hand.
2. **Air Filter:**  
Prevents dust and foreign matter from entering the carburetor.
3. **Wingnut of Filter Cover:**  
For removing filter cover; permits filter to be cleaned.
4. **Throttle Trigger Interlock:**  
Must be depressed before activating the throttle trigger.
5. **Throttle Trigger:**  
Controls the speed of the engine.
6. **Choke Lever:**  
Eases engine starting by enriching mixture.
7. **Control Lever:**  
Starting throttle lock and stop switch. Keeps the throttle partially open during starting, switches the engine's ignition off and stops the running of the engine.
8. **Spark Plug Terminal:**  
Connects the spark plug with the ignition wire.
9. **Front Handle:**  
Handle bar for the left hand at front of cut-off machine.
10. **Wheel Guard:**  
Guards the wheel and deflects sparks, dust, cutting debris or wheel fragments.
11. **Thrust Washer:**  
Distributes clamping pressure of mounting nut evenly over cutting wheel.
12. **Abrasive Wheel:**  
Can either be an abrasive wheel or a diamond abrasive wheel.
13. **Adjusting Lever of Wheel Guard:**  
To adjust the wheel guard in a way that sparks, dust, cutting debris or wheel fragments are directed away from the operator.
14. **Muffler:**  
Attenuates exhaust noises and diverts exhaust gases in required direction.
15. **Tensioning nut:**  
For tensioning the V-belt.
16. **Starter Grip:**  
The grip of the pull starter which is the device to start the engine.
17. **Fuel Filler Cap:**  
For closing the fuel tank.
18. **Decompression valve:**  
Makes starting easier.
19. **Water attachment:**  
For connection of water supply for wet cutting.

### Clutch:

Couples engine to the V-belt pulley when engine is accelerated beyond idle speed. (Not illustrated)

### V-Belt Pulley:

The wheel that drives the V-belt and the abrasive wheel. (Not illustrated)

## Specifications

### EPA / CEPA:

The Emission Compliance Period referred to on the Emissions Compliance Label indicates the number of operating hours for which the engine has been shown to meet Federal emission requirements.

Category:

- A = 300 hours,
- B = 125 hours,
- C = 50 hours

### CARB:

The Emission Compliance Period used on the CARB-Air Index Label indicates the terms:

- Extended = 300 hours,
- Intermediate = 125 hours,
- Moderate = 50 hours

### Engine

STIHL single cylinder two-stroke engine

Displacement: 3.9 cu.in  
(64,1 cm<sup>3</sup>)

Bore: 1.93 in  
(49 mm)

Stroke: 1.34 in  
(34 mm)

Maximum spindle speed: 5350 rpm  
(make sure that the maximum operating wheel speed is above or equal to the maximum spindle speed of your cut-off machine)

### Ignition System

Type: Electronic magneto ignition

**Spark plug** (suppressed):  
Bosch WSR 6 F or NGK BPMR 7 A

**Electrode gap**  
0.02 in (0,5 mm)

### Carburetor

All position diaphragm carburetor with integral fuel pump

### Starter system

ElastoStart starter rope  
dia. 0.18 in (4.5 mm)  
1122 190 2900

**Fuel tank capacity**  
1.39 pt (0,66 l)

### Abrasive wheels

Composite abrasive wheels for steel, stone, asphalt, ductile cast pipes and plastics<sup>1)</sup>.  
Diamond abrasive wheels for stone and asphalt.  
Dia. 12 in (300 mm) or 14 in (350 mm)  
0.10 to 0.24 in (2.6 to 6 mm) thick

**Arbor hole diameter, spindle diameter**

0.787 in (20 mm)

**Min. thrust washer diameter**  
4.1 in (103 mm)

**Cutting depth with thrust plate dia. 4.1 in (103 mm):**

3.9 in (98,5 mm) for dia. 12 in (300 mm)  
4.9 in (123,5 mm) for dia. 14 in (350 mm)

<sup>1)</sup> Not available in all countries

## Special Accessories

## Maintenance and Repairs

### Dimensions

Length with fitted abrasive wheel dia. 12 in (300 mm)	28.7 in (730 mm)
Height up to guard	14.2 in (360 mm)
Width including handle bar	12 in (300 mm)

### Weight


with water attachment and limit stop  
(without abrasive wheel)

dia. 12 in (300 mm)	20.1 lb (9,1 kg)
dia. 14 in (350 mm)	20.5 lb (9,3 kg)

Contact your STIHL dealer for information regarding special accessories that may be available for your product.

Users of this unit should carry out only the maintenance operations described in this manual. Other repair work may be performed only by authorized STIHL service shops.

Warranty claims following repairs can be accepted only if the repair has been performed by an authorized STIHL servicing dealer using original STIHL replacement parts.

Original STIHL parts can be identified by the STIHL part number, the **STIHL** logo and, in some cases, by the STIHL parts symbol . This symbol may appear alone on small parts.



## STIHL Incorporated Federal Emission Control Warranty Statement

### Your Warranty Rights and Obligations

The U.S. Environmental Protection Agency (EPA) and STIHL Incorporated are pleased to explain the Emission Control System Warranty on your equipment type engine. In the U.S. new 1997 and later model year small off-road equipment engines must be designed, built and equipped, at the time of sale, to meet the U.S. EPA regulations for small non road engines. The equipment engine must be free from defects in materials and workmanship which cause it to fail to conform with U.S. EPA standards for the first two years of engine use from the date of sale to the ultimate purchaser.

STIHL Incorporated must warrant the emission control system on your small off-road engine for the period of time listed below provided there has been no abuse, neglect or improper maintenance of your small off-road equipment engine.

Your emission control system includes parts such as the carburetor and the ignition system. Also included may be hoses, and connectors and other emission related assemblies.

Where a warrantable condition exists, STIHL Incorporated will repair your small off-road equipment engine at no cost to you, including diagnosis (if the diagnostic work is performed at an authorized dealer), parts, and labor.

### Manufacturer's Warranty Coverage:

In the U.S., 1997 and later model year small off-road equipment engines are warranted for two years. If any emission-related part on your engine is defective, the part will be repaired or replaced by STIHL Incorporated free of charge.

### Owner's Warranty Responsibilities:

As the small off-road equipment engine owner, you are responsible for the performance of the required maintenance listed in your owner's manual. STIHL Incorporated recommends that you retain all receipts covering maintenance on your small off-road equipment engine, but STIHL Incorporated cannot deny warranty solely for the lack of receipts or for your failure to ensure the performance of all scheduled maintenance.

Any replacement part or service that is equivalent in performance and durability may be used in non-warranty maintenance or repairs, and shall not reduce the warranty obligations of the engine manufacturer.

As the small off-road equipment engine owner, you should be aware, however, that STIHL Incorporated may deny you warranty coverage if your small off-road equipment engine or a part has failed due to abuse, neglect, improper maintenance or unapproved modifications.

You are responsible for presenting your small off-road equipment engine to a STIHL service center as soon as a problem exists. The warranty repairs will be completed in a reasonable amount of time, not to exceed 30 days.

If you have any questions regarding your warranty rights and responsibilities, please contact a STIHL customer service representative at 1-800-467-8445 or you can write to

STIHL Inc.,  
536 Viking Drive, P.O. Box 2015,  
Virginia Beach, VA 23450-2015.

### Coverage by STIHL Incorporated

STIHL Incorporated warrants to the ultimate purchaser and each subsequent purchaser that your small off-road equipment engine will be designed, built and equipped, at the time of sale, to meet all applicable regulations. STIHL Incorporated also warrants to the initial purchaser and each subsequent purchaser that your engine is free from defects in materials and workmanship which cause the engine to fail to conform with applicable regulations for a period of two years.

### Warranty Period

The warranty period will begin on the date the utility equipment engine is purchased by the initial purchaser and you have signed and sent back the warranty card to STIHL.

If any emission related part on your engine is defective, the part will be replaced by STIHL Incorporated at no cost to the owner. Any warranted part which is not scheduled for replacement as required maintenance, or which is scheduled only for regular inspection to the effect of "repair or replace as necessary" will be warranted for the warranty period. Any warranted part which is scheduled for replacement as required maintenance will be warranted for the period of time up to the first scheduled replacement point for that part.

### Diagnosis

You, as the owner, shall not be charged for diagnostic labor which leads to the determination that a warranted part is defective. However, if you claim warranty for a component and the machine is tested as non-defective, STIHL Incorporated will charge you for the cost of the emission test. Mechanical diagnostic work will be performed at an authorized STIHL servicing dealer. Emission test may be performed either at STIHL Incorporated or at any independent test laboratory.

### Warranty Work

STIHL Incorporated shall remedy warranty defects at any authorized STIHL servicing dealer or warranty station. Any such work shall be free of charge to the owner if it is determined that a warranted part is defective.

Any manufacturer-approved or equivalent replacement part may be used for any warranty maintenance or repairs on emission-related parts and must be provided without charge to the owner. STIHL Incorporated is liable for damages to other engine components caused by the failure of a warranted part still under warranty.

The following list specifically defines the emission-related warranted parts:

Carburetor  
Choke (Cold start enrichment system)  
Intake manifold  
Air filter  
Spark plug  
Magneto or electronic ignition system (ignition module)  
Catalytic converter (if applicable)  
Fasteners

### Where to make a claim for Warranty Service

Bring the product to any authorized STIHL servicing dealer and present the signed warranty card.

### Maintenance Requirements

The maintenance instructions in this manual are based on the application of the recommended 2-stroke fuel-oil mixture (see also instruction "Fuel"). Deviations from this recommendation regarding quality and mixing ratio of fuel and oil may require shorter maintenance intervals.

### Limitations

This Emission Control Systems Warranty shall not cover any of the following:

- repair or replacement required because of misuse, neglect or lack of required maintenance,
- repairs improperly performed or replacements not conforming to STIHL Incorporated specifications that adversely affect performance and/or durability, and alterations or modifications not recommended or approved in writing by STIHL Incorporated,

and

- replacement of parts and other services and adjustments necessary for required maintenance at and after the first scheduled replacement point.

## Trademarks

### STIHL Registered Trademarks

STIHL®

**STIHL**®



The color combination orange-grey  
(U.S. Registration #2,821,860)

4-MIX®

AUTOCUT®

EASYSTART®

OILOMATIC®

STIHL Cutquik®

STIHL DUROMATIC®

STIHL Farm Boss®

STIHL Quickstop®

STIHL ROLLOMATIC®

STIHL WOOD BOSS®

TIMBERSPORTS®

YARD BOSS®

### Some of STIHL's Common Law Trademarks

BioPlus™

Easy2Start™

EasySpool™

ElastoStart™

Ematic /Stihl-E-Matic™

FixCut™

HT Plus™

IntelliCarb™

Master Control Lever™

Micro™

Pro Mark™

Quad Power™

Quiet Line™

STIHL Arctic™

STIHL Compact™

STIHL HomeScaper Series™

STIHL Interchangeable Attachment  
Series™

STIHL Magnum /Stihl-Magnum™

STIHL MiniBoss™

STIHL MotoPlus 4™

STIHL Multi-Cut HomeScaper Series™

Stihl Outfitters™

STIHL PICCO™

STIHL PolyCut™

STIHL PowerSweep™

STIHL Precision Series™

STIHL Protech™

STIHL RAPID™

STIHL SuperCut™

STIHL Territory™

TapAction™

TrimCut™

This listing of trademarks is subject to  
change.

Any unauthorized use of these  
trademarks without the express written  
consent of  
ANDREAS STIHL AG & Co. KG,  
Waiblingen is strictly prohibited.

## Contenido

Guía para el uso de este manual ...	52	Chispero en el silenciador .....	87
Medidas de seguridad y técnicas de manejo .....	53	Revisión de la bujía .....	87
Ejemplos de uso .....	68	Sustitución de la cuerda de arranque y resorte de rebobinado .....	88
Discos de corte de resina compuesta STIHL .....	71	Sustitución de la correa trapezoidal .....	91
Discos de corte adiamantados STIHL .....	71	Carro para sierra STIHL .....	92
Armado del cojinete y protector .....	75	Almacenamiento de la máquina .....	92
Tensado de la correa trapezoidal ...	76	Tabla de mantenimiento .....	93
Discos abrasivos .....	77	Piezas y control .....	94
Colocación / sustitución de un disco abrasivo .....	78	Especificaciones .....	96
Combustible .....	80	Accesorios especiales .....	97
Llenado de combustible .....	81	Mantenimiento y reparaciones .....	97
Arranque / parada del motor .....	81	Declaración de garantía de STIHL Incorporated sobre sistemas de control de emisiones según normas Federales .....	98
Limpieza del filtro de aire .....	84	Marcas comerciales .....	100
Manejo del motor .....	86		
Ajuste del carburador .....	86		

Permita que solamente las personas que comprenden la materia tratada en este manual manejen su sierra.

Para obtener el rendimiento y satisfacción máximos de la sierra STIHL, es importante leer y comprender las instrucciones de mantenimiento y las precauciones de seguridad, a partir de la página 3, antes de usarla.

Comuníquese con el concesionario o distribuidor de STIHL si no se entiende alguna de las instrucciones dadas en el presente manual.

### Advertencia!

Dado que la sierra es una herramienta de corte motorizada de gran velocidad, es necesario tomar medidas especiales de seguridad para reducir el riesgo de lesiones.

El uso descuidado o inadecuado puede causar lesiones graves e incluso mortales.

## Guía para el uso de este manual

### Pictogramas

Todos los pictogramas que se encuentran en la máquina se muestran y explican en este manual.

Las instrucciones de uso y manipulación vienen acompañadas de ilustraciones.

### Símbolos en el texto

Los pasos individuales o procedimientos descritos en el manual pueden estar señalados en diferentes maneras:

- Un punto identifica un paso o procedimiento sin referencia directa a una ilustración.

Una descripción de un paso o procedimiento que se refiere directamente a una ilustración puede tener números de referencia que aparecen en la ilustración.

Ejemplo:

Suelte el tornillo (1)

Palanca (2) ...

Además de las instrucciones de uso, en este manual pueden encontrarse párrafos a los que usted debe prestar atención especial. Tales párrafos están marcados con los símbolos que se describen a continuación.



Advertencia donde existe el riesgo de un accidente o lesiones personales o daños graves a la propiedad.



Precaución donde existe el riesgo de dañar la máquina o los componentes individuales.



Nota o sugerencia que no es esencial para el uso de la máquina, pero puede ayudar al operador a comprender mejor la situación y mejorar su manera de manejar la máquina.



Nota o sugerencia sobre el procedimiento correcto con el fin de evitar dañar el medio ambiente.

### \* Equipo y características

Este manual de instrucciones puede describir varios modelos con diferentes características. Los componentes que no se encuentran instalados en todos los modelos y las aplicaciones correspondientes están marcados con un asterisco (\*). Esos componentes pueden ser ofrecidos como accesorios especiales por el concesionario STIHL.

### Mejoramientos técnicos

La filosofía de STIHL es mejorar continuamente todos sus productos. Como resultado de ello, periódicamente se introducen cambios de diseño y mejoras. Si las características de funcionamiento o la apariencia de su máquina difieren de las descritas en este manual, comuníquese con el concesionario STIHL para obtener la ayuda que requiera.

Por lo tanto, es posible que algunos cambios, modificaciones y mejoramientos no hayan sido descritos en este manual.

## Medidas de seguridad y técnicas de manejo



### ⚠ Advertencia!

El uso de cualquier sierra puede ser peligroso. Dado que la sierra es una herramienta de corte

motorizada que funciona a gran velocidad, es necesario tomar medidas especiales de seguridad para reducir el riesgo de lesiones y de incendios.

Es importante que usted lea, comprenda bien y respete las siguientes advertencias y medidas de seguridad.



Lea el manual de instrucciones y las precauciones de seguridad periódicamente.

No preste ni alquile nunca su sierra sin entregar el manual de instrucciones. Asegúrese que todas las personas que utilicen la sierra lean y comprendan la información contenida en este manual. Un operador novato deberá recibir capacitación práctica antes de utilizar la máquina. Las empresas deberán establecer un programa de capacitación para los operadores de sierras portátiles de mano con motor de gasolina para asegurar que las mismas se utilicen de modo seguro. Las medidas de seguridad y avisos contenidos en este manual se refieren al uso de todas las sierras Cutquik de STIHL.

### ⚠ Advertencia!

El uso descuidado o inadecuado de cualquier sierra puede causar lesiones graves e incluso mortales.

Pida a su concesionario STIHL que le enseñe el manejo de la sierra. Respete todas las disposiciones, reglamentos y normas de seguridad nacionales, estatales y locales del caso.

### ⚠ Advertencia!

Nunca permita a los niños que usen una sierra. No se debe permitir la proximidad de otros, especialmente niños y animales, donde se esté utilizando la sierra. Nunca deje desatendida una sierra en marcha.

Los distintos modelos pueden contar con piezas y controles diferentes. Vea la sección correspondiente de su manual de instrucciones para tener una descripción de los controles y la función de cada componente de su modelo de sierra.

El uso seguro de una sierra involucra a:

- el operador
- la sierra
- el uso de la sierra.

## EL OPERADOR

### Condición física

Usted debe estar en buenas condiciones físicas y psíquicas y no encontrarse bajo la influencia de ninguna sustancia (drogas, alcohol, etc.) que le pueda restar visibilidad, destreza o juicio. No maneje la sierra cuando está fatigado. Esté atento - Si se fatiga mientras se usa la sierra, tómese un descanso; la fatiga puede dar por resultado la pérdida del control. El uso de cualquier tipo de sierra puede ser fatigoso. Si usted padece de alguna condición que puede agravarse con el trabajo fatigoso, consulte a un médico antes de usar una sierra.

### **Advertencia!**

El uso prolongado de una sierra (u otras máquinas) expone al operador a vibraciones que pueden provocar el fenómeno de Raynaud (dedos blancos) o el síndrome del túnel del carpio. Estas condiciones reducen la capacidad de las manos de sentir y regular la temperatura, producen entumecimiento y ardor y pueden provocar trastornos nerviosos y circulatorios, así como necrosis de los tejidos. No se conocen todos los factores que contribuyen a la enfermedad de Raynaud, pero el clima frío, el fumar y las enfermedades o condiciones físicas que afectan los vasos sanguíneos y la circulación de la sangre, como asimismo los niveles altos de vibración y períodos prolongados de exposición a la vibración son mencionados como factores en el desarrollo de la enfermedad de Raynaud. Por lo tanto, para reducir el riesgo de la enfermedad de dedos blancos y del síndrome del túnel del carpio, sírvase notar lo siguiente:

- La mayor parte de las sierras de STIHL se ofrecen con un sistema antivibración ("AV") cuyo propósito es reducir la transmisión de las vibraciones creadas por el motor a las manos del operador. Se recomienda el uso del sistema AV a aquellas personas que utilizan sierras en forma constante y regular.
- Use guantes y mantenga las manos abrigadas.
- Mantenga el sistema AV en buen estado. Una sierra con los componentes flojos o con amortiguadores AV dañados o desgastados también tendrá tendencia a tener niveles más altos de vibración.
- Agarre firmemente los mangos en todo momento, pero no los apriete con fuerza constante y excesiva. Tómese descansos frecuentes.

Todas las precauciones antes mencionadas no le garantizan que va a estar totalmente protegido contra la enfermedad de Raynaud o el síndrome del túnel del carpio. Por lo tanto, los operadores constantes y regulares deben controlar con frecuencia el estado de sus manos y dedos. Si aparece alguno de los síntomas arriba mencionados, consulte inmediatamente al médico.

### **Advertencia!**

El sistema de encendido de la máquina produce un campo electromagnético de intensidad muy baja. El mismo puede interferir con algunos tipos de marcapasos. Para reducir el riesgo de lesiones graves o mortales, las personas portadoras de marcapasos deben consultar a sus médicos y al fabricante del marcapasos antes de usar esta máquina.

### **Vestimenta adecuada**

#### **Advertencia!**



Para reducir el riesgo de lesiones el operador debe usar el equipo protector adecuado.

La ropa debe ser de confección fuerte y ajustada, pero no tanto que impida la completa libertad de movimiento. Evite el uso de chaquetas sueltas, bufandas, corbatas, joyas, pantalones acampanados o con vueltas, pelo largo suelto o cualquier cosa que pueda engancharse en los obstáculos o las piezas en movimiento de la máquina. Use monos o pantalones largos para protegerse las piernas. No vista pantalones cortos.

**⚠ Advertencia!**

Cuando se corta metal, la máquina crea chispas capaces de incendiar la ropa. La mayoría de las telas usadas para fabricar la vestimenta son inflamables - aun las telas retardadoras de incendio se encienden si la temperatura es elevada. Para reducir el riesgo de quemaduras, STIHL recomienda vestir ropa de cuero, lana, algodón con tratamiento retardador de incendio o una tela de algodón gruesa y con tejido apretado, tal como la tela de jeans. Algunas telas sintéticas retardadoras de incendio también son adecuadas, pero otras tales como el poliéster, nilón, rayón y acetato pueden derretirse y formar una sustancia similar al alquitrán que quema la piel. Lea las instrucciones del fabricante de vestimentas. Mantenga la ropa libre de aceite, combustible, grasa y otras sustancias inflamables.



Siempre use guantes al manejar la sierra. Los guantes gruesos y antideslizantes mejoran el manejo y ayudan a proteger las manos.



Una buena base de apoyo es indispensable cuando se maneja la sierra.

Póngase botas gruesas con suela antideslizante. Recomendamos las botas de seguridad con puntera de acero.

**⚠ Advertencia!**

La herramienta de corte puede lanzar objetos sueltos hacia el operador.



Para reducir el riesgo de lesionarse los ojos, nunca maneje la sierra si no tiene puestas gafas o anteojos de seguridad bien ajustados con una

protección adecuada en las partes superior y laterales que satisfagan la norma ANSI Z 87.1. La protección adecuada de los ojos es indispensable.

Use un casco de seguridad reglamentario para protegerse la cabeza. El ruido producido por la sierra puede lesionarle los oídos. Siempre use amortiguadores del ruido (tapones u orejeras) para protegerse los oídos. Los usuarios regulares deben someterse con frecuencia a un examen o control auditivo.

**⚠ Advertencia!**

Si no se está usando corte mojado, el operador debe siempre usar un respirador aprobado por NIOSH/MSHA para el material en uso, con el fin

de reducir el riesgo de sufrir una enfermedad respiratoria grave o mortal. Para más detalles y advertencias sobre este tema, lea la información bajo "Condiciones de trabajo" en este manual de instrucciones.

**LA SIERRA**

Para ilustraciones y definiciones de las piezas de la sierra, vea "Piezas principales de la máquina".

**⚠ Advertencia!**

Nunca modifique, de ninguna manera, una sierra. Utilice únicamente los accesorios y repuestos suministrados por STIHL o expresamente autorizados por STIHL para usarse con los modelos específicos de sierras de STIHL. Si bien es posible conectar al motor de STIHL ciertos accesorios no autorizados, su uso puede ser, en la práctica, extremadamente peligroso.



**⚠ Advertencia!**

El polvo puede acumularse en el motor, especialmente alrededor del carburador y puede absorber gasolina, aumentando el riesgo de un incendio. Limpie el polvo del motor periódicamente.

**Discos abrasivos**

**⚠ Advertencia!**

Antes de montar el disco de corte, compruebe que la velocidad máxima de uso del disco sea mayor o igual que la velocidad del árbol de la sierra dada en la sección Especificaciones de este manual. Un disco que no cumpla con estas condiciones puede romperse o hacerse pedazos y constituir una amenaza de lesiones graves o mortales al operador o a terceros.

Los discos abrasivos para cortes a manos libres soportan esfuerzos de torcedura y compresión particularmente altos.

**⚠ Advertencia!**

Los discos no autorizados pueden ser más propensos a quebrarse o romperse. Utilice únicamente discos de corte STIHL o discos autorizados cuya velocidad nominal sea aprobada. Lea y siga las precauciones de seguridad adicionales dadas con el disco.

**⚠ Advertencia!**



Inspeccione el disco abrasivo con frecuencia y sustitúyalo de inmediato si tiene roturas o combaduras. Los discos rotos o combados pueden

romperse o quebrarse y causar lesiones personales graves o mortales. Los discos abrasivos deformados o desequilibrados pueden aumentar las vibraciones y acortar la vida útil de la sierra.

Los discos abrasivos son sensibles al calor. Siempre guarde la sierra en un lugar en el cual el disco no quede expuesto a la luz solar directa ni a otras fuentes de calor. Almacene los discos de corte de repuesto en un lugar seco que no esté expuesto a daños por congelación. El no seguir estas instrucciones puede hacer que el disco se rompa o se quiebre y causar lesiones graves o incluso mortales.

**⚠ Advertencia!**



Nunca use discos de sierra circular, discos con puntas de carburo, discos reconstruidos, discos abrasivos para madera ni discos con dientes de tipo

alguno. Pueden causar lesiones personales graves como resultado del contacto con la hoja de sierra o los objetos lanzados y/o las fuerzas reactivas, incluyendo el contragolpe. Vea la sección "Fuerzas reactivas". El concesionario STIHL tiene un inventario de discos abrasivos especiales para los diversos usos de la sierra.

**⚠ Advertencia!**

Si se usa un modelo incorrecto de disco abrasivo o si el disco se usa para cortar un material para el cual no fue diseñado, el disco puede romperse y causar lesiones graves o mortales.

Sólo utilice el disco abrasivo aprobado para el tipo de material a cortarse. Existen diferentes tipos de discos abrasivos, cada uno de los cuales tiene marcas especiales. Por ejemplo:

1. Piedra  
También puede usarse para cortar hormigón, mampostería, hormigón reforzado y ladrillo.
2. Acero  
Puede usarse para cortar todo tipo de metales ferrosos.
3. Asfalto  
También puede usarse para cortar hormigón con agregados.
4. Hierro dúctil  
También puede usarse para cortar ciertos tipos de hierro fundido (SG 17-24), bronce y cobre.

Para cortar materiales compuestos, consulte con el concesionario STIHL.

### Discos adiamantados abrasivos

Los discos adiamantados abrasivos tienen un rendimiento de corte mucho mejor que los discos abrasivos de resina compuesta. Los discos adiamantados tienen su parte central de acero con partículas de diamante incrustadas en sus filos.

Se pueden usar para cortar hormigón, asfalto, piedra natural, tubería de arcilla, ladrillos y cosas por el estilo.

Normalmente no son adecuados para cortar metal u otros materiales.

Es posible cortar en seco o mojado. Con el corte mojado se prolonga la vida útil del disco adiamantado. Se incluyen accesorios para conducir agua para usarse con la sierra STIHL. Consulte la sección correspondiente del manual de instrucciones.

### Advertencia!

No vuelva a instalar un disco adiamantado abrasivo usado sin primero inspeccionar si existen muescas, planeidad, fatiga del centro, daño o pérdida de segmentos, evidencia de sobrecalentamiento (decoloración) y posible daño del agujero para el portaherramienta. Antes de usarlo, revise el disco en busca de fisuras y verifique que esté en buenas condiciones y no se le hayan desprendido pedazos.

Siempre instale el disco de modo que la flecha que tiene marcada apunte en el sentido de giro del árbol.

## USO DE LA SIERRA

### Transporte de la sierra Cutquik de STIHL

#### Advertencia!

Antes de apoyar la sierra en el suelo o de acarrearla, apague el motor. El disco abrasivo sigue girando por un tiempo breve después que se suelta el gatillo de aceleración (efecto de volante). El acarrear la sierra con el motor funcionando es extremadamente peligroso. La aceleración accidental del motor puede causar la rotación del disco. Evite tocar el silenciador caliente.

Por mano: Cuando acarree la sierra a mano, apague el motor y colóquela en la posición correcta. Agarre el mango delantero y coloque el silenciador apartado de su cuerpo.

#### Advertencia!

Siempre evite que el disco de corte se golpee contra el suelo o contra otros objetos. Los discos dañados pueden quebrarse y causar lesiones graves o mortales.

Por vehículo: Sujete la sierra debidamente para impedir que se vuelque, derrame combustible y dañe la sierra. Nunca la transporte con el disco instalado. Un disco que se ha dañado durante el transporte puede quebrarse al usar la máquina y causar lesiones personales graves.

### Preparación de la sierra para el uso

Para la instalación, siga el procedimiento descrito en la sección respectiva del manual de instrucciones.

Mantenga los mangos secos, limpios y sin aceite ni combustible.

#### **Advertencia!**

Antes de usar la sierra, compruebe que sus controles (acelerador, interruptor de apagado) y los dispositivos de seguridad funcionen debidamente, que las velocidades de ralentí y máxima del carburador estén debidamente ajustadas, que el disco esté correctamente instalado y que el protector del disco se encuentre en su lugar y bien fijado a la máquina. Inspeccione todos los discos detenidamente para comprobar que su condición sea buena antes de instalarlos.



Ajuste el protector del disco de modo que las chispas, el polvo y los materiales cortados se desvíen en sentido opuesto al operador y que no alcancen objetos inflamables en el entorno. Consulte la sección "Instrucciones de funcionamiento" del manual de instrucciones.

No maneje nunca una sierra que está dañada, mal ajustada o que no fue armada debidamente. Inspeccione la máquina para comprobar que pueda usarse de modo seguro.

La tensión adecuada de la correa trapezoidal es extremadamente importante. Para evitar el ajuste inadecuado, ejecute los procedimientos de tensado tal como se describen en su manual. Siempre compruebe que las tuercas de collar hexagonales del brazo de fundición estén debidamente apretadas. Compruebe la tensión de la correa trapezoidal después de una hora de uso y corríjala de ser necesario.

### Combustible

Su herramienta motorizada de STIHL utiliza una mezcla de aceite y gasolina como combustible (vea el capítulo "Combustible" en el manual de instrucciones).

#### **Advertencia!**



La gasolina es un combustible muy inflamable. Si se derrama y arde a causa de una chispa u otra fuente de ignición, puede provocar un incendio y quemaduras graves o daños a la propiedad. Tenga sumo cuidado cuando manipule gasolina o la mezcla de combustible. No fume cerca del combustible o la herramienta motorizada, ni acerque ningún fuego o llama a ellos. Puede escapar vapor inflamable del sistema de combustible.

### Instrucciones para el llenado de combustible

#### **Advertencia!**

Cargue de combustible su herramienta motorizada en lugares al aire libre bien ventilados. Siempre apague el motor y deje que se enfríe antes de llenar de combustible. Dependiendo del combustible utilizado, de las condiciones climáticas y del sistema de ventilación del tanque, es posible que se forme vapor de gasolina a presión dentro del tanque de combustible.

Para reducir el riesgo de quemaduras, así como otras lesiones corporales ocasionadas por los escapes de vapor de gasolina y otras emanaciones, quite la tapa de llenado de combustible de la herramienta motorizada cuidadosamente de modo que la

presión que se pueda haber acumulado en el tanque se disipe lentamente. Nunca quite la tapa de llenado de combustible mientras el motor está funcionando.

Elija una superficie despejada para llenar el tanque y aléjese 3 m (10 pies) por lo menos del lugar en que lo haya llenado antes de arrancar el motor. Limpie todo el combustible derramado antes de arrancar la máquina.

### **Advertencia!**

Compruebe que no existen fugas de combustible mientras llena el tanque y durante el funcionamiento de la máquina. Si detecta alguna fuga de combustible, no arranque el motor ni lo haga funcionar sin antes reparar la fuga y limpiar el combustible derramado. Tenga cuidado de no mancharse la ropa con combustible. Si la mancha, cámbiesela inmediatamente.

### **Advertencia!**

Si se derrama el combustible sobre la ropa, en particular sobre los pantalones, es sumamente importante cambiarse de ropa de inmediato. No dependa de la evaporación. Pueden quedar residuos inflamables de combustible en la ropa después de un derrame por más tiempo que lo esperado. Es sumamente peligroso cortar metal con la sierra cuando la ropa está húmeda o mojada con gasolina, puesto que la ropa del

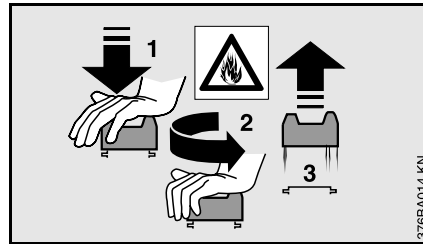
operador podría incendiarse y causar lesiones graves o mortales.

### **Advertencia!**

Si la tapa de combustible está mal apretada, la misma puede soltarse o salirse y causar el derramamiento del combustible.

Los diferentes modelos de sierras pueden estar provistos de tapas de combustible diferentes:

#### **Tapa de llenado tipo bayoneta**



Nunca utilice herramientas para abrir ni cerrar la tapa de llenado tipo bayoneta, ya que esto podría dañarla y causar fugas de combustible.

La tapa de llenado tipo bayoneta debe cerrarse cuidadosamente después de haber abastecido el combustible.

#### **Tapa de llenado de combustible con rosca**



Asegure la tapa de llenado de combustible lo más ajustado posible después de haber abastecido la máquina con combustible.

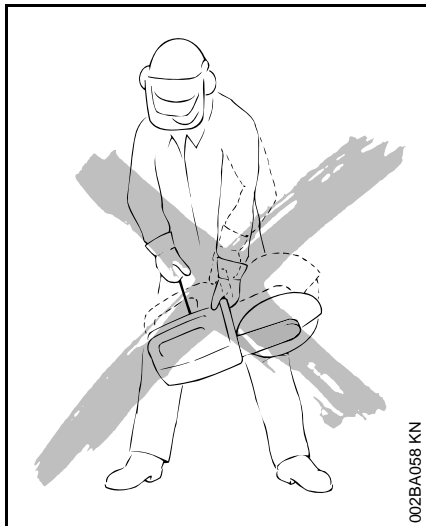
Esto reduce el riesgo de que la tapa se suelte debido a vibraciones en el motor, lo cual causaría fugas de combustible.

### **Advertencia!**

Nunca intente abrir la tapa usando una herramienta. Esto puede dañar la tapa y permitir el escape de combustible.

Antes de usar la máquina asegúrese que la tapa de combustible esté bien apretada y quite el combustible derramado. Compruebe que no existen fugas de combustible mientras llena el tanque y durante el funcionamiento de la máquina. Si detecta alguna fuga de combustible, no arranque el motor ni lo haga funcionar sin antes reparar la fuga y limpiar el combustible derramado.

## Arranque



002BA058 KN

### ⚠ Advertencia!

Su sierra es una máquina que debe ser manejada por solamente una persona. No deje que otras personas se acerquen a la sierra. Ponga en marcha y maneje su sierra sin ayuda de nadie. Para las instrucciones específicas de arranque, vea la sección correspondiente en el manual de instrucciones.

Nunca arranque el motor por lanzamiento de la máquina. Este método es muy peligroso ya que es posible perder el control de la sierra. Coloque la sierra sobre suelo firme u otra superficie dura en una zona despejada. Mantenga el equilibrio y elija un buen punto de apoyo para los pies. Asegúrese que el disco de corte esté alejado de su persona y de las demás obstrucciones y objetos, incluyendo el suelo. Al arrancar el motor con el acelerador en posición de arranque, su velocidad será suficiente para que el embrague engrane la polea de correa trapezoidal y se mueva el disco. Nunca intente arrancar la sierra si el disco abrasivo está insertado en un corte.

Tan pronto arranque, accione inmediatamente por un breve momento el gatillo de aceleración para desconectarlo de la posición de arranque y permitir que la velocidad del motor se reduzca al valor de ralentí.

### ⚠ Advertencia!

Cuando tire del mango de arranque, no enrolle la cuerda de arranque alrededor de la mano. No deje que el mango vuelva por sí solo a su posición original, sino guíe lentamente la cuerda con la mano para que se enrolle correctamente. Si no ejecuta este procedimiento puede lastimarse la mano o los dedos y también dañar el mecanismo de arranque.

## Condiciones de trabajo

Maneje la sierra solamente en condiciones de buena visibilidad y a la luz del día.

El uso de protectores para los oídos reduce la percepción de sonidos. Esté atento para no perder las señales de voz de sus compañeros de trabajo. Manténgase a una distancia que le permita comunicarse con otras personas en caso de necesitar ayuda.

### ⚠ Advertencia!



Su sierra emite gases de escape tóxicos apenas el motor de combustión empieza a funcionar. Estos gases (por ej., monóxido de carbono)

pueden ser incoloros e inodoros. Para reducir el riesgo de sufrir lesiones graves o mortales por respirar gases tóxicos, nunca haga funcionar la sierra puertas adentro o en lugares mal ventilados. Asegúrese de tener ventilación adecuada cuando trabaje en zanjas u otros lugares confinados.

**⚠ Advertencia!**

El uso de este producto para cortar mampostería, hormigón, metal y otros materiales puede generar polvo o vapores que contienen productos químicos conocidos como causantes de lesiones graves o mortales o enfermedades como trastornos respiratorios, cáncer, defectos de nacimiento u otro daño a los órganos reproductores. Si usted desconoce los riesgos relacionados con el material en cuestión, lea la hoja de datos de seguridad del material y/o consulte con su empleador, el fabricante/proveedor del material, organismos gubernamentales tales como OSHA y NIOSH y otras fuentes de información sobre los materiales peligrosos. Por ejemplo, el estado de California y algunas otras autoridades han publicado varias listas de sustancias carcinógenas, de toxicidad reproductora, etc. Siempre que sea posible, controle el polvo y los vapores en su punto de origen. Al respecto, emplee buenas prácticas de trabajo y siga las recomendaciones del fabricante/proveedor, OSHA/NIOSH y asociaciones laborales y comerciales. Se proporciona un juego accesorio de agua para la máquina de corte el cual debe usarse para suprimir el polvo cuando el corte en mojado es factible. Si no se efectúa el corte mojado, el operador y cualquier persona que se encuentre cerca siempre deben usar un respirador aprobado por NIOSH/MSHA para el material en uso. Consulte y

aténgase a las leyes o reglamentos federales, estatales o locales referentes al corte en seco y corte mojado.

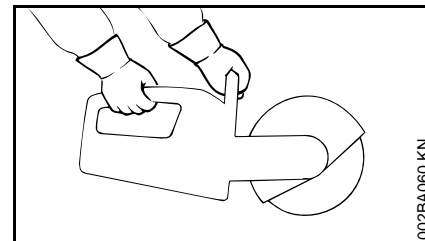
**⚠ Advertencia!**

Al cortar mampostería, hormigón y otros materiales que contienen sílice en su composición, se puede despedir polvo con contenido de sílice cristalina. La sílice es un componente básico de la arena, cuarzo, arcilla de ladrillo, granito y numerosos minerales y rocas. La inhalación repetida y/o sustancial de la sílice cristalina en suspensión en el aire puede causar una enfermedad respiratoria grave o mortal, incluida la silicosis. Además, el estado de California y algunas otras autoridades han colocado a la sílice cristalina en la lista de sustancias carcinógenas. Cuando corte tales materiales, siempre tome las medidas de precaución respiratorias antes mencionadas.

**⚠ Advertencia!**

La aspiración de polvo de asbesto es peligrosa y puede causar lesiones graves o mortales, enfermedades de las vías respiratorias o cáncer. El uso y la eliminación de los productos que contienen asbesto están estrictamente reglamentados por OSHA y el Organismo para la Protección del Medio Ambiente (EPA) de los EE.UU. No use la sierra para cortar o remover asbesto, productos que contengan asbesto u otros productos tales como tubería envuelta o cubierta con aislante de asbesto. Si por cualquier motivo cree que está cortando asbesto, póngase en

contacto inmediatamente con su empleador o un representante de OSHA local.

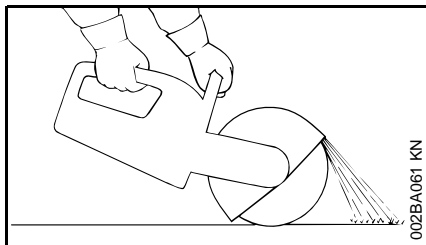


002BA060 KN

**⚠ Advertencia!**

La sierra STIHL ha sido diseñada para usarse con las manos o con un carro para sierras. Si se hacen cortes con la sierra apoyada sobre el suelo u otra superficie, se puede causar el desgaste excesivo de la escuadra que protege la parte inferior de la caja del tanque. Se puede causar la pérdida de combustible y lesiones personales. Sustituya las escuadras dañadas o muy desgastadas de inmediato.

Agarre de la sierra: Nunca use la sierra con una sola mano. Siempre sujete la sierra firmemente con ambas manos mientras el motor está funcionando. Coloque la mano izquierda sobre el mango delantero y la derecha sobre el mango trasero y el gatillo de aceleración. Las personas que trabajan con la mano izquierda (zurdos) también deben seguir estas instrucciones.



Cierre firmemente los dedos alrededor de los mangos, manteniéndolos bien apoyados entre el pulgar y dedo índice. Asegúrese que los mangos de la sierra y el mango de arranque están en buenas condiciones y sin humedad, resina, aceite o grasa.

**⚠ Advertencia!**

Despeje la zona donde está trabajando. Evite tropezar con obstáculos y esté atento a los agujeros o zanjas. Sea precavido cuando trabaje en declives o terreno irregular. Proceda con sumo cuidado cuando trabaje en condiciones climáticas húmedas o frías (lluvia, nieve, hielo).

**⚠ Advertencia!**

Nunca use la sierra con el bloqueo de arranque del acelerador aplicado, puesto que ello no permite controlar la velocidad del motor y puede causar lesiones graves.

**⚠ Advertencia!**



Las chispas emitidas al cortar metal pueden causar quemaduras o incendiar la ropa. Siempre dirija las chispas en sentido opuesto al operador y a sustancias inflamables en el entorno. Nunca corte metales mientras está parado en una superficie inflamable, tal como las superficies de madera o papel alquitranado. Si existe el riesgo de que se produzca un incendio, tenga equipo extinguidor de incendios a mano.

**⚠ Advertencia!**

Para reducir el riesgo de lesionarse debido a un incendio, no corte ningún tubo, tambor ni otro tipo de envase sin antes verificar que el mismo no contenga sustancias volátiles o inflamables.

**⚠ Advertencia!**

Cuando se cortan paredes y pisos existentes o estructuras similares, esté atento a peligros ocultos tales como cables eléctricos, tuberías de agua o de gas y sustancias inflamables. Compruebe que los servicios de energía eléctrica, agua y gas hayan sido interrumpidos y que se hayan vaciado todos los tubos antes de empezar a cortar.

**Instrucciones de manejo**

**⚠ Advertencia!**

El protector del disco puede ajustarse. Es sumamente importante que el protector del disco se encuentre en su lugar y ajustado según el tipo de trabajo a efectuar y la posición. El protector siempre debe ajustarse de modo que el usuario no esté expuesto a los peligros causados por las partículas lanzadas ya sea directa o indirectamente del material cortado, las chispas o los pedazos de discos dañados. El no seguir estas instrucciones puede causar lesiones graves o mortales.

**⚠ Advertencia!**

Siempre revise el disco antes de usarlo y después de haber chocado accidentalmente con algún objeto. Reviselo frecuentemente durante el uso, luego de haberlo detenido. Busque grietas y verifique que esté libre de daños, en buenas condiciones, y que ninguna de sus piezas se haya roto. Vea las secciones sobre "Discos abrasivos" y "Fuerzas reactivas" en este manual. Busque roturas en el protector del disco. Si se descubren roturas o grietas, instale un protector nuevo antes de seguir usando la máquina.

**⚠ Advertencia!**

Es esencial determinar el sentido del corte con precisión antes de aplicar el disco abrasivo al material a ser cortado. Los discos se fabrican para soportar presión en sentido **radial** solamente.

Evite la presión **lateral**. Sostenga la sierra de modo constante. Para reducir el riesgo de sufrir lesiones graves o mortales, no cambie el sentido de avance del corte al hacerlo ya que esto puede imponer una carga torsional grande sobre el disco abrasivo y quebrarlo o romperlo.

### **Advertencia!**

No use los discos abrasivos para limar. Tales tipos de trabajo producen esfuerzos grandes de combadura y los discos abrasivos podrían quebrarse o romperse, causando lesiones graves o mortales.

### **Advertencia!**

Para reducir el riesgo de lesiones causadas por discos abrasivos rotos:

1. No exceda la velocidad máxima de funcionamiento indicada en el disco.
2. No use un disco que se haya caído al suelo.
3. Pruebe cada disco nuevo inmediatamente después de haberlo instalado haciéndolo funcionar a velocidad máxima por aproximadamente un minuto sin cortar, cerciorándose que las demás personas presentes se encuentren alejadas.

4. No corte ningún material para el cual el disco abrasivo no está diseñado o aprobado.
5. No esmerile aplicando el disco abrasivo de costado.
6. No tuerza, empuje, golpee o deje caer la máquina. Eso puede dañar el disco.

Para obtener un corte limpio y eficaz, tire del disco abrasivo sobre la superficie trabajada o muévelo en uno y otro sentido de la dirección de corte. No aplique fuerza para meter el disco abrasivo en la superficie trabajada.

Inserte el disco en el material únicamente a la profundidad necesaria para hacer el corte. Para reducir la cantidad de polvo, no corte los materiales de piedra y hormigón completamente. Deje una franja delgada sin cortar. En la mayoría de estos tipos de materiales, esta franja puede romperse con facilidad después. No tuerza, trabe o esfuerce el disco en el corte.

Siempre apague el motor y compruebe que el disco haya dejado de girar antes de poner la sierra en el suelo.

Si se usa un carro para sierras, quite la basura de la trayectoria de las ruedas, ya que la misma puede causar la flexión del disco abrasivo. Esto puede causar fuerzas grandes de fricción y reducir significativamente la potencia del motor disponible para la tarea de corte. También puede dañar el disco abrasivo.

STIHL recomienda el uso de un carro para efectuar cortes largos en línea recta.

### **Cortes en mojado con discos abrasivos**

Antes de cortar en mojado, verifique que el agua no vaya a dañar el piso o el edificio.

### **Advertencia!**

Para reducir el riesgo de electrocución para usted u otras personas, no deje que el agua o lodo quede en contacto los alambres eléctricos con corriente.

### **Advertencia!**

Para reducir el riesgo de lesiones causadas por la rotura del disco al cortar en mojado con un disco no adiamantado de resina compuesta:

1. No guarde un disco que ha sido usado con agua para reutilizarlo después. Use estos discos hasta agotarlos en un mismo día.



2. Compruebe que el agua no fluya sobre un disco que no esté en marcha, ya que el disco absorbe el agua, lo cual altera su equilibrio.
3. Corte el agua antes de detener el disco para que el exceso de agua se disipe.
4. Asegúrese de aplicar agua a ambos lados del disco, ya que la distribución desigual puede causar el desgaste desigual del disco.

### Ajustes importantes

A la velocidad de ralentí correcta, el disco no debe girar. Para instrucciones de ajuste de la velocidad de ralentí, vea la sección correspondiente del manual de instrucciones.

#### Advertencia!

No use una sierra que tenga la velocidad de ralentí desajustada. El disco en movimiento puede causar lesiones. Solicite al concesionario STIHL que revise su sierra y que haga los ajustes o reparaciones del caso.

No toque nunca con las manos o cualquier parte del cuerpo un disco que está girando.

### Fuerzas reactivas, incluido el culatazo

#### Advertencia!

Las fuerzas reactivas pueden producirse en cualquier momento que el disco de la sierra esté girando. Si el disco reduce su velocidad o se detiene como resultado del contacto con un objeto macizo o de la estricción entre dos superficies, las fuerzas reactivas pueden producirse instantáneamente y con mucha intensidad. Estas fuerzas reactivas pueden causar la pérdida del control de la sierra, lo cual a su vez puede causar lesiones graves o mortales.

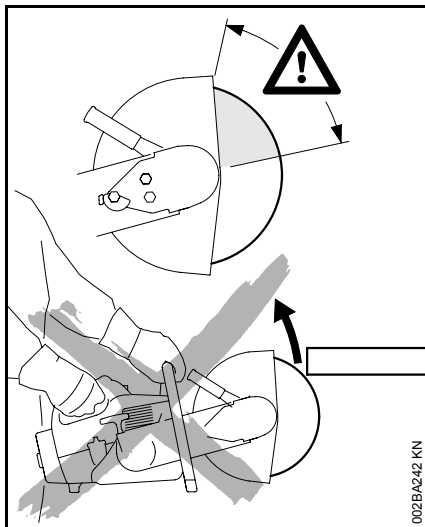
Una buena comprensión de las causas de estas fuerzas reactivas puede ayudarle a evitar la pérdida del control. Las fuerzas reactivas se aplican en sentido opuesto al del movimiento del disco en el punto de contacto o de estricción.

### Fuerzas de culatazo, trepado, aprisionamiento y rotación

Las fuerzas reactivas más comunes son los culatazos y el trepado. Si el contacto se produce en la parte inferior del disco, la sierra intentará alejarse del operador (culatazo). Si el contacto se produce en el extremo delantero del disco, éste puede intentar "trepado" sobre el objeto cortado. El aprisionamiento ocurre cuando la pieza que se está cortando se cierra contra el disco. Si el disco sufre una estricción severa en su parte delantera, especialmente en el cuadrante superior, puede ser lanzado instantáneamente hacia arriba y hacia atrás, hacia el operador, con mucha fuerza y en sentido giratorio.

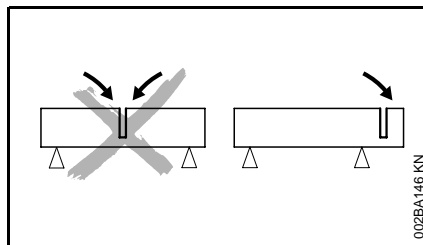
Cuanto mayor sea la fuerza generada, tanto más difícil será para el operador controlar la sierra. Bajo circunstancias determinadas, cualquiera de las fuerzas reactivas puede causar la pérdida del control de la sierra, permitiendo que el disco giratorio entre en contacto con el operador. Esto puede dar por resultado lesiones personales graves o la muerte.

### Para reducir el riesgo de lesiones por contragolpes



#### ⚠ Advertencia!

Para reducir el riesgo de lesionarse por un contragolpe, evite cortar con el cuadrante superior del disco, siempre que sea posible. Tenga cuidado particular de no aprisionar el disco en esta zona, lo cual puede causar fuerzas reactivas severas con un contragolpe de sentido giratorio.



Esté alerta al movimiento potencial del material que se está cortando o a cualquier otra fuerza que pueda causar el cierre del corte y el aprisionamiento del disco. Para reducir el riesgo de aprisionamiento, sujete el material de tal manera que el corte permanezca abierto durante el proceso de corte y cuando se termine (vea la ilustración). Nunca haga un corte que cause el atascamiento del disco.

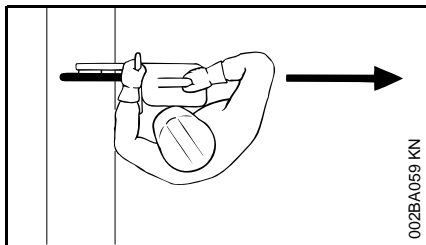
#### ⚠ Advertencia!

Tenga sumo cuidado al cortar una pieza que, por no estar debidamente apoyada, podría descender cuando se termina el corte, creando un aprisionamiento no en el punto del corte sino cerca de la parte superior de la pieza (vea la ilustración). Si ese aprisionamiento se produce en el cuadrante superior del disco abrasivo, se puede causar un contragolpe severo.

#### ⚠ Advertencia!

Utilice exclusivamente accesorios de corte autorizados por STIHL. Nunca use discos abrasivos picados, discos de sierras circulares, discos con puntas de carburo, discos reconstruidos, ni discos abrasivos para madera o con dientes de tipo alguno. El uso de tales discos aumenta significativamente el riesgo de la pérdida del control y de sufrir lesiones personales graves o mortales como resultado de las fuerzas reactivas, puesto que la porción picada de un disco abrasivo, o los dientes de un disco de sierra circular pueden encajarse en el material cortado y generar fuerzas reactivas considerablemente más intensas, incluso un contragolpe en sentido giratorio.

Las sierras han sido diseñadas para usarse con discos abrasivos en buenas condiciones **solamente**. Las máquinas diseñadas para usar discos abrasivos para madera y otros tipos de discos con dientes utilizan sistemas protectores diferentes que brindan la protección necesaria para tales tipos de discos. Las máquinas, tales como una sierra, que se han diseñado para usar discos abrasivos requieren un sistema protector diferente, que no ofrece protección contra todos los peligros presentados por los discos de sierra circular, los discos con puntas de carburo, los discos para rescate o los discos abrasivos para madera o con dientes.



### **⚠ Advertencia!**

Para reducir el riesgo de lesionarse por la pérdida del control causada por las fuerzas reactivas, incluso el contragolpe:

1. Sujete firmemente la máquina de corte con ambas manos.
2. Mantenga los pies bien apoyados y equilibrados en todo momento. No corte nunca mientras está parado en una escalera.
3. Coloque la sierra en tal posición que su cuerpo quede alejado del accesorio de corte. Evite pararse en línea con el disco. No se incline por encima del accesorio de corte, especialmente cuando el protector está deslizado hacia la parte superior y existe riesgo de que ocurran fuerzas reactivas.
4. No corte a una altura superior a la de los hombros.
5. No corte madera ni ningún material para el cual el disco abrasivo no está diseñado o aprobado.
6. Nunca use discos de sierra circular, discos con puntas de carburo, discos reconstruidos, discos abrasivos para madera ni discos con dientes de tipo alguno. El usarlos aumenta el riesgo de las lesiones producidas por el contacto con el disco, partículas lanzadas y fuerzas reactivas, incluso el contragolpe.
7. Empiece a cortar y continúe trabajando a máxima aceleración.
8. No trate de alcanzar más lejos de lo debido.
9. Use su sierra para cortar solamente. No está diseñada para usarla como una pala o barreta para quitar objetos del paso.
10. Esté especialmente alerta a las fuerzas reactivas, incluso el contragolpe, cuando esté cortando con el cuadrante superior del disco.
11. Esté alerta al desplazamiento de la pieza de trabajo o a otras fuerzas que puedan causar el cierre del corte y el aprisionamiento del disco, especialmente en su cuadrante superior. Sostenga la pieza de trabajo de manera que el corte permanezca abierto. Nunca haga un corte que cause el atascamiento del disco.
12. Utilice corte mojado de ser posible. En una situación de aprisionamiento, el agua puede actuar como lubricante y reducir la energía de las fuerzas reactivas.
13. Deje de ejercer presión sobre la sierra cuando llegue al extremo del corte. Demasiada presión puede hacer que el operador pierda control de la máquina cuando el disco abrasivo termina el corte. El disco abrasivo puede hacer contacto con el operador o chocar con algún objeto extraño y romperse en pedazos.
14. Tenga mucho cuidado cuando vuelva a entrar a un corte y no haga girar el disco en un ángulo ni empuje el disco contra el corte pues podría quedar aprisionado.

### **Fuerzas giroscópicas**

Esté alerta a las fuerzas giroscópicas creadas por la rotación rápida del disco de corte. Estas fuerzas se oponen a los cambios de sentido, por ejemplo cuando el operador intenta mover la máquina lateralmente.

## Mantenimiento, reparación y almacenamiento de la sierra

**Los trabajos de mantenimiento, reemplazo o reparación de los dispositivos y sistemas de control de emisiones de escape pueden ser realizados por cualquier taller o técnico de motores no diseñados para vehículos. Sin embargo, si usted está reclamando servicio de garantía para algún componente que no ha sido reparado o mantenido debidamente, o cuando se utilizan repuestos no autorizados, STIHL puede denegar la garantía.**

No maneje nunca una sierra que está dañada, mal ajustada o que no fue armada debidamente. Siga las instrucciones de mantenimiento y reparación dadas en la sección correspondiente del manual del usuario.

### **Advertencia!**

Utilice solamente piezas de repuesto de STIHL para el mantenimiento y reparación. La utilización de piezas fabricadas por otras empresas puede causar lesiones graves o mortales.

### **Advertencia!**

Siempre apague el motor, asegúrese que el disco esté detenido y desconecte el casquillo de la bujía antes de efectuar algún trabajo de mantenimiento, reparación o limpieza en la sierra. No intente hacer ningún trabajo de mantenimiento o reparación que no esté descrito en su manual de instrucciones. Este tipo de trabajo debe realizarse

únicamente en el taller de servicio de STIHL.

Limpie el polvo producido una vez acabado el trabajo. Apriete todas las tuercas, pernos y tornillos, excepto los tornillos de ajuste del carburador, después de cada uso.

### **Advertencia!**

No pruebe nunca el sistema de encendido con el casquillo desconectado de la bujía, o sin tener enroscada la bujía, ya que las chispas al descubierta pueden causar un incendio.

### **Advertencia!**

Para reducir el riesgo de incendio y de quemaduras, utilice solamente las bujías autorizadas por STIHL. Siempre inserte el manguito de la bujía bien apretado en el borne de la bujía del tamaño adecuado. (Nota: Si el borne tiene una tuerca adaptadora SAE desmontable, tiene que ser instalada.) Una conexión suelta entre el borne de la bujía y el conector del cable de encendido en el manguito puede crear un arco voltaico y encender los vapores del combustible y provocar un incendio. Mantenga la bujía limpia, y asegúrese que el conductor de encendido esté en buen estado.

### **Advertencia!**

No maneje nunca su sierra si el silenciador está dañado, se ha perdido o si fue modificado. Un silenciador mal cuidado aumenta el riesgo de incendio y puede causar pérdida del oído. Nunca toque el silenciador cuando está caliente ni le vierta combustible u otros líquidos inflamables. Esto puede causar quemaduras o incendios. Si el silenciador está equipado con un chispero para reducir el riesgo de incendio (por ejemplo, en EE.UU., Canadá y Australia), no maneje nunca su sierra si le falta el chispero o si el mismo está dañado.

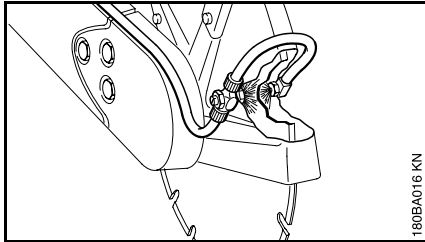
Para todo trabajo de mantenimiento, sírvase consultar la tabla de mantenimiento y la declaración de garantía que se encuentra al final del manual de instrucciones.

Almacene los discos sobre una superficie plana y en un lugar seco, preferiblemente a una temperatura constante, en donde no exista el riesgo de congelación. No almacene la sierra con un disco montado. Almacene la sierra en un lugar elevado o bajo llave, fuera del alcance de los niños.

Vacíe el tanque de combustible antes de guardar la máquina por un lapso de más de unos cuantos días. Guarde el combustible únicamente en envases debidamente rotulados y aprobados para ello. Evite el contacto directo del combustible con la piel y no inhale sus vapores.

## Ejemplos de uso

### La mayoría de los discos de corte adiamantados son adecuados para cortes en mojado



**Siempre que sea posible, utilice técnicas de corte en mojado. Esto prolonga la vida útil y la velocidad de corte de los discos adiamantados**

Compruebe que el disco de corte tenga un suministro abundante de agua, hasta 10 litros por minuto.

**El corte en mojado ayuda a suprimir el polvo.**

El agua captura el polvo.

El disco de corte requiere un suministro de por lo menos 0,6 litros de agua por minuto.

**El corte en mojado puede reducir la energía de las fuerzas reactivas.** En caso de un aprisionamiento, el agua puede actuar como lubricante.

#### Conexión del agua

- La máquina tiene un juego de conexión de agua que permite utilizar todo tipo de suministros de agua.

- STIHL ofrece un tanque de agua presurizado de 10 litros de capacidad para suprimir el polvo.
- También se ofrece un tanque de agua que se monta en el carro Cutquik para suprimir el polvo.

**Los discos de corte de resina compuesta pueden usarse para el corte en seco de metales o el corte en seco o en mojado de hormigón, piedra o mampostería.**

Hay que seguir procedimientos especiales para cortar en seco cuando se usa un disco compuesto no adiamantado. Vea la sección titulada "Corte en mojado con discos compuestos", entre las precauciones de seguridad dadas en el presente manual. El corte en mojado generalmente no es adecuado para cortar metales.

### Protección para las vías respiratorias

Advertencia!

Si no se efectúa el corte mojado, el operador y cualquier persona que se encuentre cerca siempre deben usar un respirador aprobado por NIOSH/MSHA para el material en uso.

### Puntos que deben tomarse en cuenta al usar discos de corte adiamantados y de resina compuesta

#### El objeto a cortarse

- Debe estar completamente apoyado
- Debe estar asegurado de modo que no pueda rodar ni deslizarse
- Debe estar protegido contra las vibraciones

#### La secuencia de corte

La secuencia de corte es importante al recortar aberturas, hendiduras, etc. El último corte siempre debe hacerse de manera que el disco de corte no quede atrapado y de modo que el usuario no corra el peligro de ser lesionado por la pieza recortada.

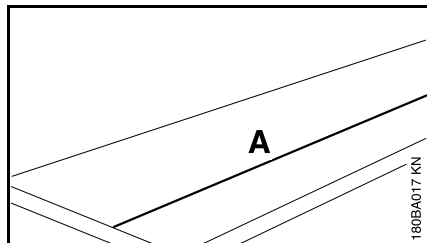
Si corresponde, deje "puentes" pequeños de material sin cortar para sujetar a la pieza cortada en posición. Estos puentes pueden romperse posteriormente.

Es necesario decidir algunos puntos antes de la separación final de la pieza cortada:

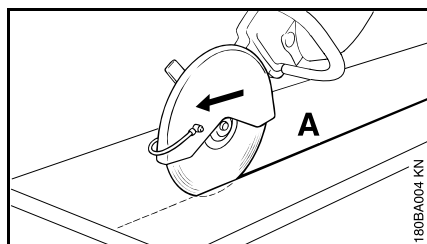
- ¿Qué tan pesada es la pieza?
- ¿En qué sentido se moverá luego de cortarla?
- ¿Se encuentra bajo tensión?

Los ayudantes no deberán correr el peligro de lesionarse al separar o romper la pieza.

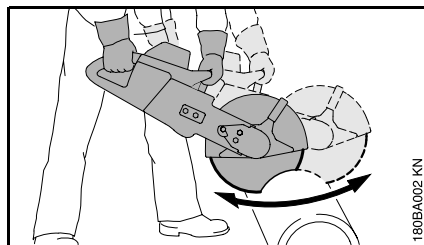
## Corte en varias pasadas



A = Marque la línea de corte



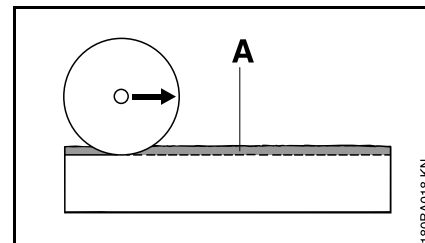
- Trabaje a lo largo de la línea de corte. Si hay que hacer correcciones, siempre ajuste la posición del disco de corte, procurando que no quede atascado. La profundidad de corte por pasada no deberá ser mayor que 5 a 6 cm (2 a 1 1/2 pulg). Los materiales más gruesos deberán cortarse haciendo varias pasadas.



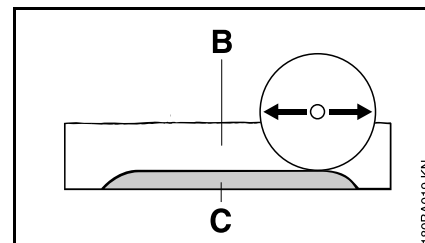
- Las piezas con paredes gruesas deben cortarse efectuando un movimiento uniforme de péndulo, en uno y otro sentido.

## Corte de planchas

- Coloque la plancha firmemente sobre una superficie no resbaladiza.



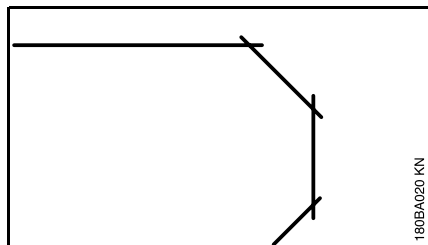
A = Corte una ranura guía a lo largo de la línea marcada.



B = Corte más profundamente en el corte de partida, efectuando movimientos uniformes en uno y otro sentido.

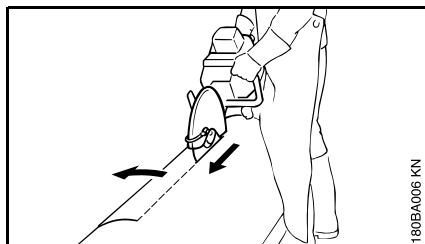
C = Deje un puente de material sin cortar.

- Corte todo el grosor de la plancha en sus extremos para evitar la formación de picaduras en el material.
- Después rompa la plancha para separarla.



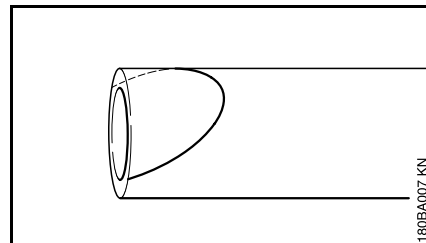
- Las curvas se cortan efectuando varias pasadas rectas procurando que el disco de corte no se atasque.

### Corte de piezas redondas y huecas



- Los tubos y objetos circulares, etc., deberán asegurarse para impedir que rueden.
- Evite los elementos de refuerzo, especialmente en el sentido del corte, al elegir la línea de corte.
- Corte una ranura guía a lo largo de la línea marcada.
- Corte más profundamente en el corte de partida, efectuando movimientos uniformes en uno y otro sentido. Avance el disco de corte a lo largo de la ranura guía, con profundidad plena de corte. Siempre ajuste la posición del disco de corte, evitando que se atasque, si es necesario corregir levemente el sentido del corte. De ser necesario, deje "puentes" pequeños de material sin cortar para sujetar a la pieza cortada en posición. Estos puentes pueden romperse posteriormente.

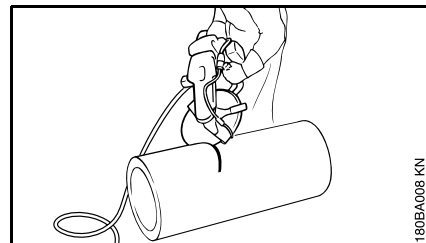
### Corte de formas en tubos



- Marque la línea de corte.

#### Advertencia!

Hay que tener sumo cuidado y mucha precisión para el corte a mano alzada de tales líneas de corte. Evite aplicarle cargas laterales al disco o atorarlo.

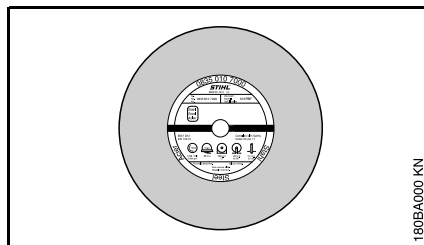


- Corte una ranura guía a lo largo de la línea de corte que se marcó, empezando por la parte superior y avanzando hacia fuera, hacia ambos lados.
- Corte todo el tubo u objeto circular, etc., en los extremos de la línea de corte para evitar la formación de picaduras en el material.

## Discos de corte de resina compuesta STIHL

## Discos de corte adiamantados STIHL

- Corte más profundamente en el corte de partida, con movimientos uniformes en uno y otro sentido, empezando por la parte superior y avanzando hacia afuera, hacia ambos lados. Avance el disco de corte a lo largo de la ranura guía, con profundidad plena de corte. Siempre ajuste la posición del disco de corte, evitando que se atasque, si es necesario corregir levemente el sentido del corte. De ser necesario, deje "puentes" pequeños de material sin cortar para sujetar a la pieza cortada en posición. Estos puentes pueden romperse posteriormente.

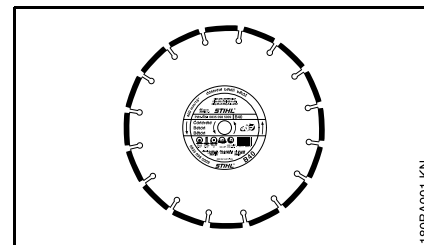


Se obtienen beneficios económicos y se evita el desgaste prematuro si se elige y utiliza el disco de resina compuesta correcto. El nombre corto (por ej., "asfalto", "hormigón")

- en la etiqueta y
- en la envoltura (tabla con usos recomendados)

ayuda a elegir el modelo correcto.

Los discos de corte de resina compuesta STIHL no pueden usarse para cortar vías ferroviarias.



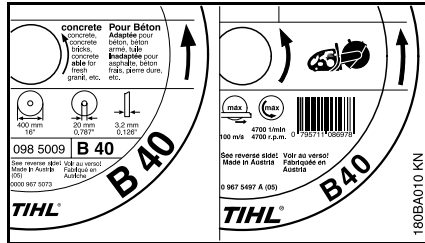
Se obtienen beneficios económicos y se evita el desgaste prematuro si se elige y utiliza el disco adiamantado correcto. El nombre corto (vea la explicación siguiente)

- en la etiqueta y
- en la envoltura (tabla con usos recomendados)

ayuda a elegir el modelo correcto.



## Nombres cortos



El nombre corto es una combinación de letras y números con hasta cuatro dígitos:

- Las letras indican el uso principal del disco de corte.

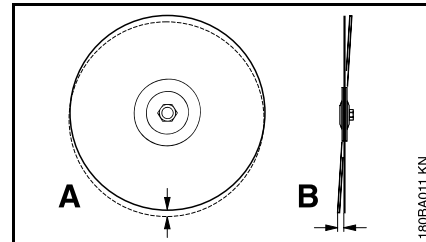
Letra	Uso principal
<b>A</b>	Asfalto
<b>B</b>	Hormigón
<b>S</b>	Piedra (roca)

- Los números identifican la categoría de rendimiento del disco adiamantado STIHL.

## Descentramiento radial y axial

Es esencial que el cojinete del árbol esté debidamente montado en la sierra para obtener una vida útil prolongada y funcionamiento eficiente del disco adiamantado.

Si se usa un disco de corte en una sierra con un cojinete de árbol averiado, se puede causar el descentramiento axial y radial.



Un descentramiento radial (**A**) excesivo causa sobrecargas en segmentos adiamantados individuales y sobrecalentamiento. Esto a su vez puede causar fracturas por esfuerzos en el centro del disco o el ablandamiento de segmentos individuales.

El descentramiento axial u oscilación (**B**) causa esfuerzos térmicos elevados y produce cortes más anchos.

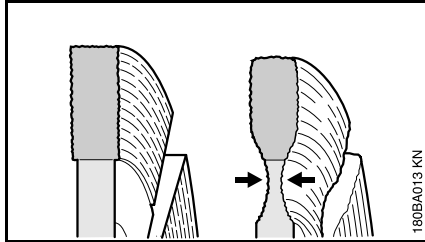
## Localización de averías

### Disco de corte

Problema	Causa	Solución
Bordes ásperos o con roturas, el corte se aleja de la línea, aumento del desgaste de los costados de los segmentos	Descentramiento radial o axial	Consulte con el concesionario <sup>1)</sup>
	El disco de corte oscila	Utilice un disco de corte nuevo
Bordes ásperos, el corte se aleja de la línea, rendimiento de corte pobre o nulo, producción de chispas	El disco de corte está roto; bordes con acumulación de materiales en los discos para piedra	Rectifique el disco para trabajar en piedra cortando brevemente un material abrasivo; utilice un disco nuevo para cortar asfalto
Rendimiento deficiente de corte, desgaste elevado de segmentos	El disco de corte gira en sentido incorrecto	Instale el disco de corte con el sentido de rotación correcto
Picaduras o roturas en centro y segmentos del disco	Sobrecarga	Sustituya el disco de corte inmediatamente por uno nuevo
Socavamiento	Se está cortando un material para el cual el disco no ha sido diseñado	Utilice un disco de corte nuevo; tome nota de las capas de corte distintas de materiales diferentes

1) STIHL recomienda acudir a un concesionario STIHL para servicio.

### Socavamiento

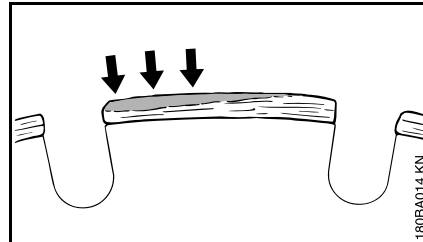


El socavamiento es el desgaste del núcleo de acero en los segmentos adiamantados o justo debajo de ellos. Cuando se cortan superficies pavimentadas, no corte más profundamente en la capa abrasiva (grava, piedra picada) bajo la superficie, la cual se indica porque produce un polvo de color claro. Esto causa un socavamiento excesivo, lo cual produce la rotura y/o el lanzamiento de segmentos del disco.

#### Advertencia!

Reemplace un disco adiamantado de inmediato si su centro tiene socavamiento severo.

### Bordes con acumulaciones, rectificación



Los bordes con acumulaciones se identifican por medio de depósitos gris claro encima de los segmentos adiamantados que obturan y reducen el filo de los segmentos.

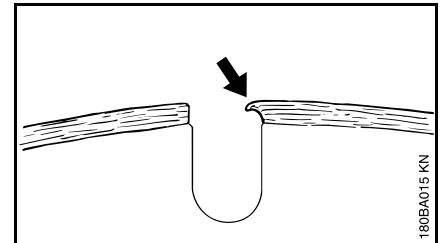
Los bordes pueden formar acumulaciones:

- cuando se cortan materiales extremadamente duros, tales como el granito,
- como resultado del manejo incorrecto, tal como al aplicar fuerza excesiva,
- se se cortan secciones extremadamente grandes sin efectuar un movimiento de péndulo (en uno y otro sentido sobre el plano del corte).

Los bordes con acumulaciones aumentan las vibraciones, reducen el rendimiento de corte y producen chispas.

Los discos de corte adiamantados requieren ser "rectificados" cuando se producen señas de acumulaciones en los bordes. Con este fin, corte brevemente en un material de calidad más abrasiva, tal como arena, hormigón aireado o asfalto.

El corte mojado ayuda a evitar la formación de acumulaciones en los bordes.

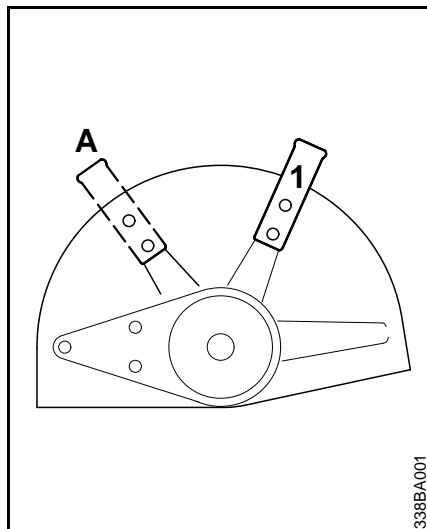


Si se continúa usando un disco con segmentos rotos, éstos podrían ablandarse como resultado del calentamiento excesivo. El centro del disco también se sobrecalienta y pierde su resistencia mecánica. Esto puede causar esfuerzos grandes, los cuales se indican claramente por medio de las roturas de esfuerzo y/o movimientos de oscilación del disco.

#### Advertencia!

Algunos discos de corte podrían romperse o lanzar algunos de sus segmentos durante el uso, lo cual puede causar lesiones graves o mortales. Reemplácelos de inmediato.

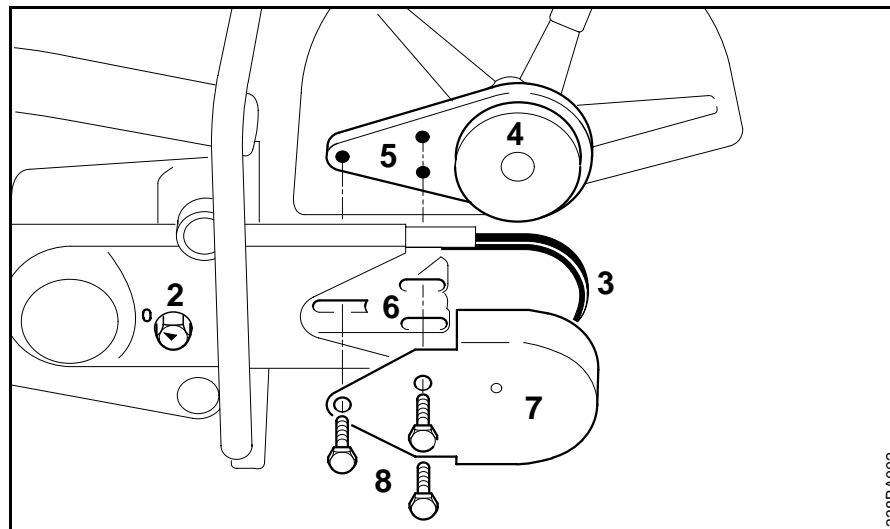
## Armado del cojinete y protector



Dependiendo de sus requerimientos, el cojinete y el protector pueden colocarse en el lado **interior** o **exterior** del brazo fundido. Se recomienda instalarlos en el lado interior para mejorar el equilibrio cuando esté cortando a mano libre; se recomienda instalarlos en el lado exterior cuando la sierra está montada en un carrito para sierras STIHL.

Para montaje en el lado exterior:

- Fije el mango ajustable (1) en la posición A.



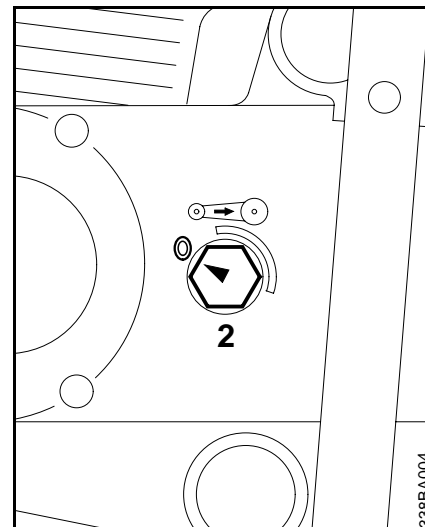
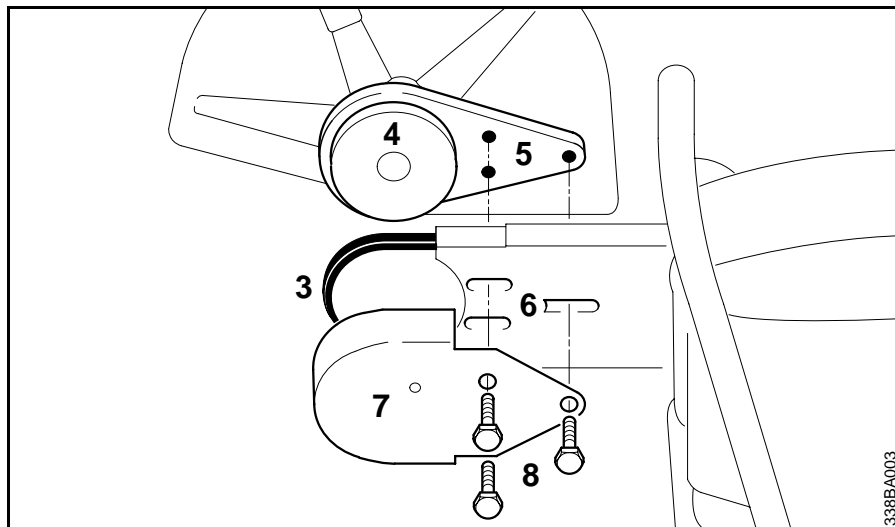
### Montaje interior

- La flecha en la tuerca tensora (2) debe apuntar hacia "0", si no:
- Con la llave combinada, gire la tuerca tensora aprox. 1/4 de vuelta en sentido contrahorario contra el tope = "0".
- Coloque la correa trapezoidal (3) en la polea (4).

- Alinee los agujeros con roscas de la placa de cojinete (5) con las ranuras en el brazo fundido (6).
- Coloque el protector de la correa trapezoidal (7).
- Atornille los pernos hexagonales (8) hasta el tope, pero no los apriete todavía.

Proceda de la manera indicada en el capítulo "Tensado de la correa trapezoidal"

## Tensado de la correa trapezoidal



### Montaje exterior

- La flecha en la tuerca tensora (2) debe apuntar hacia "0", si no:
- Con la llave combinada, gire la tuerca tensora aprox. 1/4 de vuelta en sentido contrahorario contra el tope = "0".
- Coloque la correa trapezoidal (3) en la polea (4).

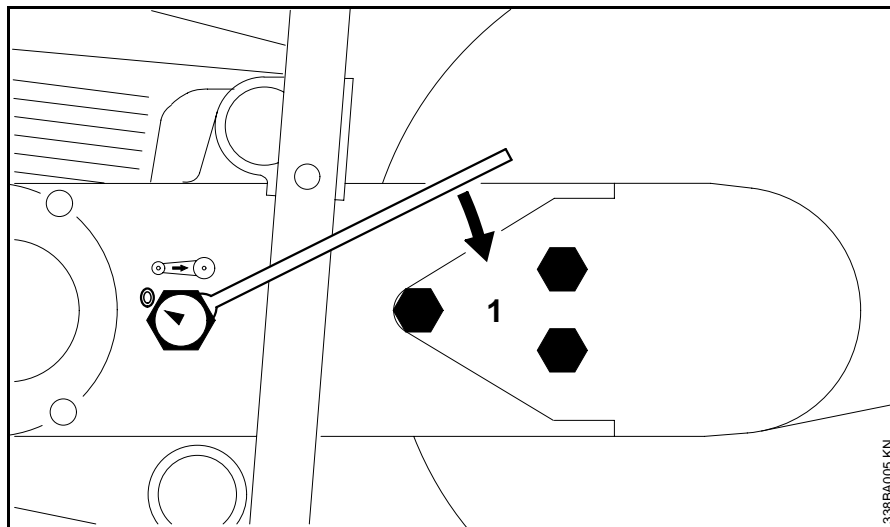
- Alinee los agujeros con roscas de la placa de cojinete (5) con las ranuras en el brazo fundido (6).
- Coloque el protector de la correa trapezoidal (7) en el lado interior.
- Atornille los pernos hexagonales (8) hasta el tope, pero no los apriete todavía.

Proceda de la manera indicada en el capítulo "Tensado de la correa trapezoidal"

Esta máquina tiene un dispositivo automático con resorte para tensar la correa trapezoidal.

- Para poder tensar la correa trapezoidal los pernos hexagonales (8) deben estar destornillados y la tuerca tensora debe estar orientada (2) hacia "0".  
Si no:
- Con la llave combinada, destornille los pernos hexagonales y gire la tuerca tensora aprox. 1/4 de vuelta en sentido contrahorario contra el tope = "0".

## Discos abrasivos



Para tensar la correa trapezoidal:

- Coloque la llave combinada sobre la tuerca tensora de la manera ilustrada

⚠ ¡La tuerca tensora tiene un resorte y, por lo tanto, la llave combinada debe agarrarse firmemente!

- Gire la tuerca tensora en sentido horario. Después de aprox. 1/8 de vuelta la fuerza aplicada por el resorte girará la tuerca tensora hasta el tope (aprox. 1/8 de vuelta)

¡No aplique ninguna fuerza para girar adicionalmente la llave combinada!

En esta posición la fuerza del resorte tensiona **automáticamente** la correa trapezoidal.

- Quita la llave combinada de la tuerca tensora y apriete los tres pernos hexagonales del protector de la correa trapezoidal

### Tensado subsiguiente

No es necesario ajustar la tuerca tensora para tensar la correa trapezoidal

- Destornille los pernos hexagonales (1) del protector de la correa trapezoidal
- La fuerza del resorte tensiona **automáticamente** la correa trapezoidal.
- Vuelva a apretar los pernos hexagonales

Los discos abrasivos soportan cargas extremadamente altas, especialmente durante los cortes a mano libre. Los discos abrasivos desarrollados por STIHL, junto con los fabricantes principales de discos, son de alta calidad y han sido diseñados precisamente para la aplicación específica y para la potencia del motor de la sierra en cuestión. Son de una calidad consistentemente alta con un alto nivel de concentricidad axial y radial.

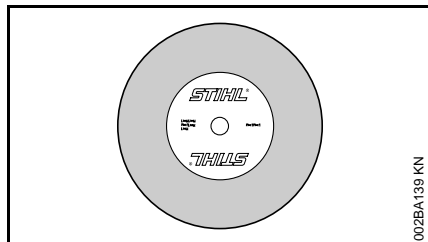
### Transporte y almacenamiento

- Los discos abrasivos no deben quedar expuestos a la luz solar plena u otras fuentes de calor durante el transporte y almacenamiento
- Protéjalos contra golpes
- Los discos abrasivos de repuesto deben almacenarse en un lugar seco a una temperatura constante, apilados uno encima del otro en una superficie plana, en el embalaje original.
- Los discos adiamantados abrasivos no deben almacenarse cerca de líquidos corrosivos
- Los discos abrasivos de resina compuesta deben protegerse contra daños por congelación

## Colocación / sustitución de un disco abrasivo

### Selección de un disco abrasivo

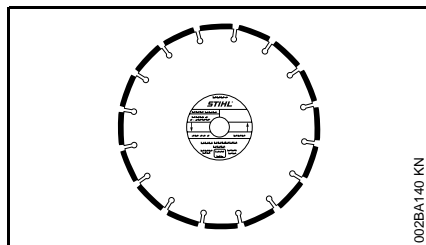
Los discos abrasivos STIHL pueden usarse para cortar los siguientes materiales:



### Los discos abrasivos de resina compuesta

(dependiendo del tipo) pueden usarse para

- Asfalto
- Hormigón
- Piedra
- Tubos fundidos dúctiles
- Acero

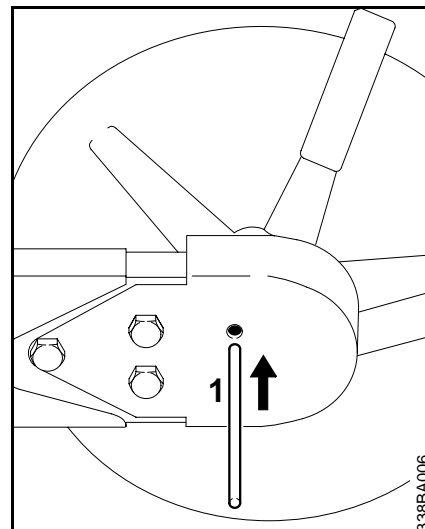


### Los discos adiamantados abrasivos

(dependiendo del tipo) pueden usarse para

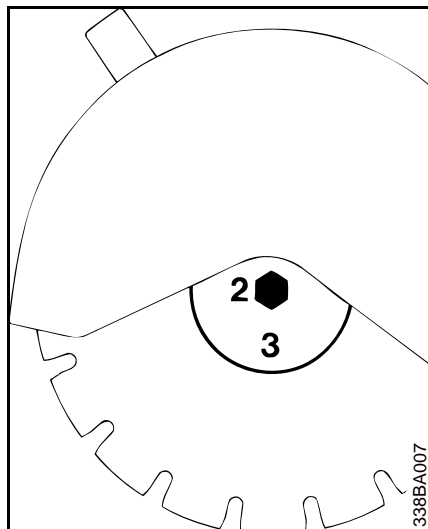
- Asfalto
- Hormigón
- Piedra (roca dura)
- Hormigón abrasivo
- Hormigón fresco
- Ladrillos de arcilla
- Tubos de arcilla

Los discos adiamantados abrasivos no pueden usarse para cortar metales.

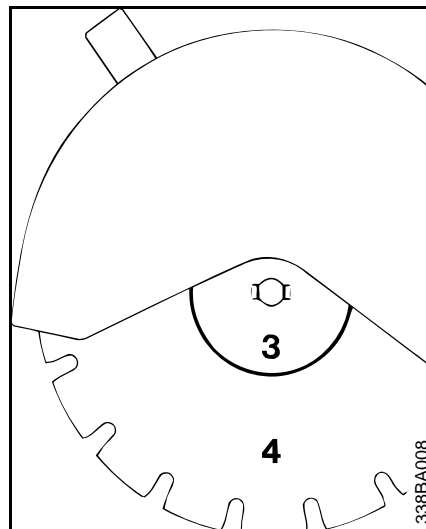


Para colocar o sustituir un disco abrasivo el motor debe estar apagado – el control deslizante / interruptor de parada en la posición "0" o

- Para poder bloquear el eje, deslice el pasador de bloqueo (1) a través del orificio en el protector de la correa trapezoidal (de ser necesario, gire un poco el eje con una llave combinada) hasta que el pasador encaje en uno de los orificios detrás del protector.



- Use la llave combinada para aflojar y destornillar el perno hexagonal (2).
- Retire la arandela de empuje delantera (3) del eje junto con el disco abrasivo para sustituirlo.



- Coloque el disco abrasivo (4).
- ⚠ Preste atención a las flechas que indican el sentido de giro en los discos adiamantados abrasivos.
- Coloque la arandela de empuje delantera (3). Las trabas de la arandela de empuje delantera deben engancharse en las ranuras del eje.
- Coloque el tornillo de cabeza hexagonal y **apriételo firmemente** con la llave combinada (o a aprox. 30 Nm si utiliza una llave torsiométrica).
- Extraiga el pasador de bloqueo del protector de la correa trapezoidal.

💡 En el caso de requerirse un corte más ancho (por ejemplo, para tender espirales inductoras en calzadas de vehículos), se puede usar dos discos adiamantados del mismo tipo juntos.

En tal caso, es esencial asegurar que los segmentos estén colocados lado a lado.

⚠ No obstante, jamás se debe utilizar dos discos abrasivos de resina compuesta simultáneamente, ya que pueden **romperse y causar lesiones** debido a que se desgastan en forma dispareja.



## Combustible

Este motor está certificado para funcionar con una mezcla de 50 a 1 de gasolina sin plomo y aceite STIHL para motores de dos tiempos.

Su motor requiere una mezcla de gasolina de calidad y aceite de calidad para motores de dos tiempos enfriados por aire.

Use gasolina sin plomo regular con un octanaje mínimo de 89 (R+M/2). Si el octanaje de la gasolina regular en su zona es más bajo, use combustible sin plomo superior.

El combustible de octanaje bajo puede aumentar la temperatura de funcionamiento del motor. Esto, a su vez, aumenta el riesgo de que se agarrote el pistón y se dañe el motor.

La composición química del combustible también es importante. Algunos aditivos de combustible no solamente tienen efectos perjudiciales en los elastómeros (diafragmas de carburador, sellos de aceite, tuberías de combustible, etc.), sino también en las piezas fundidas de magnesio y en los convertidores catalíticos. Esto podría causar problemas de funcionamiento e incluso daño del motor. Por esta razón, STIHL recomienda el uso exclusivo de gasolina sin plomo de buena calidad.

Use solamente el aceite STIHL para motores de dos tiempos o un aceite de marca equivalente para motores de dos tiempos diseñado para usar exclusivamente con los motores de dos tiempos enfriados por aire.

Recomendamos el aceite STIHL para motores de dos tiempos 50:1 pues está especialmente formulado para usarse en motores STIHL.

No use aceites para mezclar con designaciones BIA o TCW (para motores de dos tiempos enfriados por agua) ni otros aceites para mezclar diseñados para usar en motores enfriados por agua o por aire (por ejemplo, para motores marinos fuera de borda, motonieves, sierras de cadenas, bicimotos, etc.).

Manipule la gasolina con sumo cuidado. Evite el contacto directo con la piel y evite inhalar los vapores de combustible. Cuando se reabastece de combustible, quite primero el envase del vehículo y colóquelo en el suelo antes de llenarlo. No llene un envase que está en un vehículo o apoyado sobre el mismo.

Mantenga el envase bien cerrado para evitar la entrada de humedad a la mezcla.

Según sea necesario, limpie el tanque de combustible de la máquina y el envase en que se guarda la mezcla de combustible.

### Duración de la mezcla de combustible

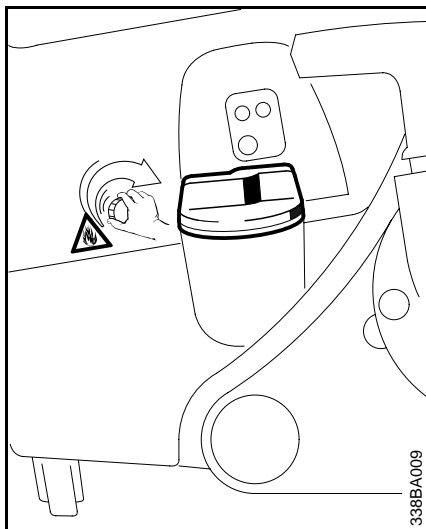
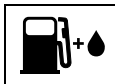
Mezcle una cantidad suficiente de combustible para trabajar unos pocos días, no lo guarde por más de 3 meses. Guárdelo únicamente en envases aprobados para combustible. Para el proceso de mezclado, vierta el aceite en el envase primero y luego agregue la gasolina. Cierre el envase y agítelo vigorosamente a mano para asegurar que se mezclen bien el aceite y la gasolina.

Gasolina	Aceite (STIHL 50:1 ó aceite de calidad equivalente)
----------	---

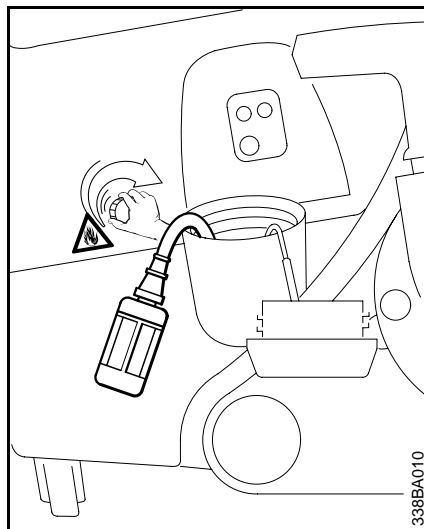
gal EE.UU.	oz fl EE.UU.
1	2.6
2 1/2	6.4
5	12.8

Deseche los envases vacíos usados para mezclar el aceite únicamente en vertederos autorizados para ello.

## Llenado de combustible

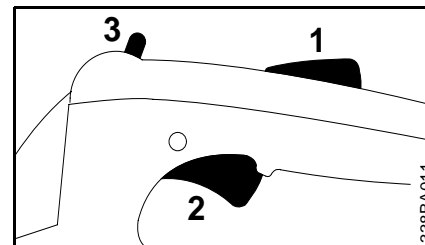


338BA009

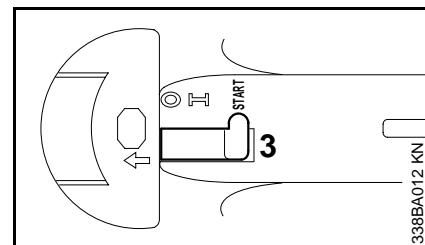


338BA010

## Arranque / parada del motor



338BA011



338BA012 KN

Antes de llenar la máquina con combustible, limpie a fondo la tapa de llenado y la zona alrededor del mismo para evitar la entrada de tierra al tanque.

Siempre agite la mezcla vigorosamente en el recipiente antes de llenar la máquina con combustible.

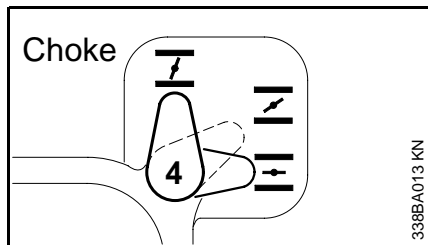
**⚠** Para reducir el riesgo de quemaduras, así como otras lesiones corporales ocasionadas por los escapes de vapor de gasolina y otras emanaciones, quite la tapa de llenado de combustible cuidadosamente de modo que la presión que se pueda haber acumulado en el tanque se disipe lentamente.

**⚠** Después de haber llenado la máquina con combustible, apriete la tapa del tanque **tan firmemente como sea posible** con la mano.

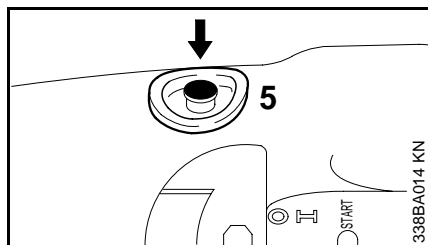
### Cambie el recogedor de combustible una vez al año.

Antes de almacenar la máquina por un período prolongado, vacíe y limpie el tanque de combustible y ponga el motor en marcha hasta que se seque el combustible del carburador.

- Observe las instrucciones de seguridad. Vea el capítulo "Precauciones de seguridad".
- Oprima simultáneamente el bloqueo del gatillo de aceleración (1) y el gatillo de aceleración (2)
- Mantenga los dos oprimidos
- Mueva la palanca de control (3) a **ARRANQUE (START)** y manténgala en esa posición
- Después suelte el gatillo, la palanca de control y el bloqueo del gatillo en esa secuencia = **posición de arranque**

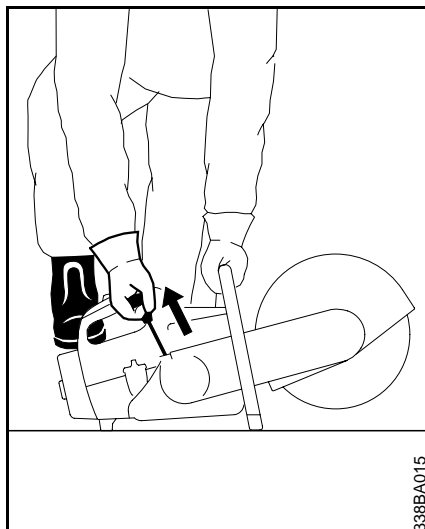


338BA013 KN



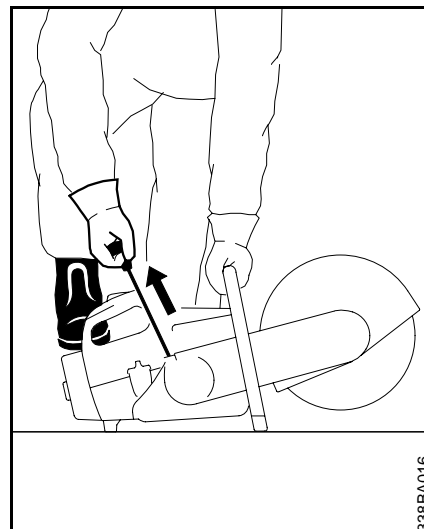
338BA014 KN

- Coloque la palanca del estrangulador (4):  
 en si el motor está frío  
 en si el motor está tibio  
 (aunque el motor haya estado funcionando pero todavía esté frío)  
 en si el motor está caliente  
 (posición trabada para arranque tibio)
- Presione el botón para abrir la válvula de descompresión (5). Es necesario oprimir el botón **antes de cada intento de arranque** del motor.



338BA015

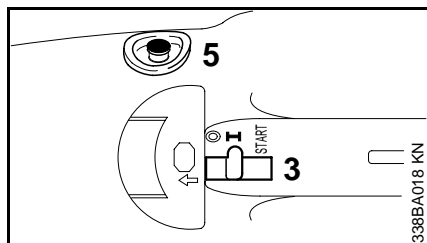
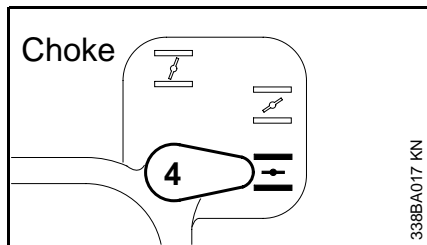
- Coloque la sierra sobre el suelo, mantenga buen equilibrio y asegúrese que el disco abrasivo no puede tocar ningún objeto ni la tierra. Asegúrese que no haya nadie dentro del alcance de la sierra.
- Presione la sierra firmemente contra el suelo con la mano izquierda y coloque su pulgar alrededor del mango.
- Coloque el pie derecho a través del mango trasero.



338BA016

- Con la mano derecha, tire lentamente del mango de arranque hasta que tope y luego tírelo rápida y firmemente. No extienda completamente la cuerda de arranque.
- ¡La cuerda puede romperse!  
 No deje que el mango de arranque salte bruscamente hacia atrás:  
 Guíelo lentamente en su lugar para que la cuerda de arranque se enrolle correctamente.

Si el motor es nuevo, tire de la cuerda de arranque varias veces para cebar el conducto de combustible.

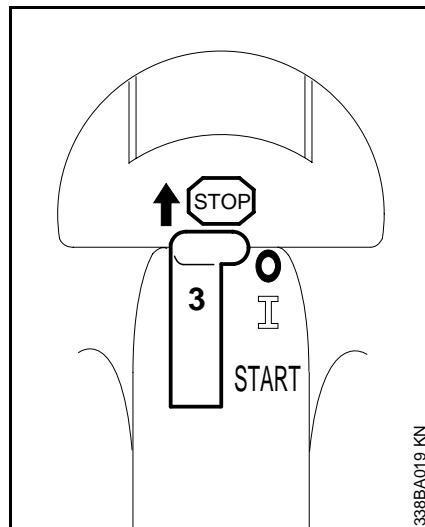


#### Después del arranque inicial:

- Ponga la palanca del estrangulador (4) en
- Oprima el botón de la válvula de descompresión (5) antes de cada intento de arranque del motor.
- Tan pronto esté funcionando el motor, accione por un breve momento el gatillo de aceleración; la palanca de control (3) se mueve a la posición normal **I** y el motor funciona en ralentí.

Si el carburador está debidamente ajustado, el disco abrasivo no gira cuando el motor funciona a ralentí.

La sierra está lista para usarse.

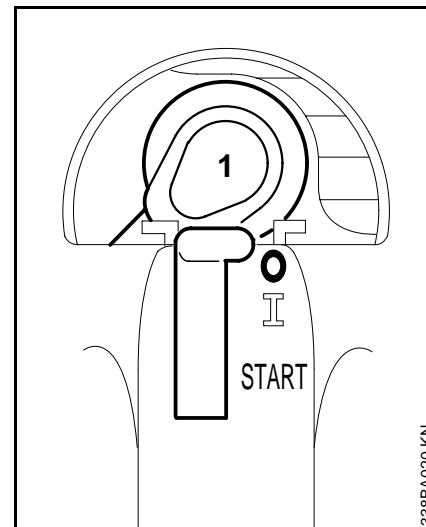


#### Para apagar el motor:

- Mueva la palanca de control (3) a "0"

**En condiciones muy frías** permita que el motor se caliente.

- Accione momentáneamente el gatillo de aceleración para quitarlo de la posición de arranque. La palanca de control regresa a la posición normal **I** y el motor funciona en ralentí.
- Ligeramente oprima el gatillo de aceleración y permita que el motor se caliente.

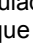


#### Si el motor no arranca:

La palanca del estrangulador no regresó a la posición de arranque tibio = después del primer arranque y ahora el motor está ahogado.

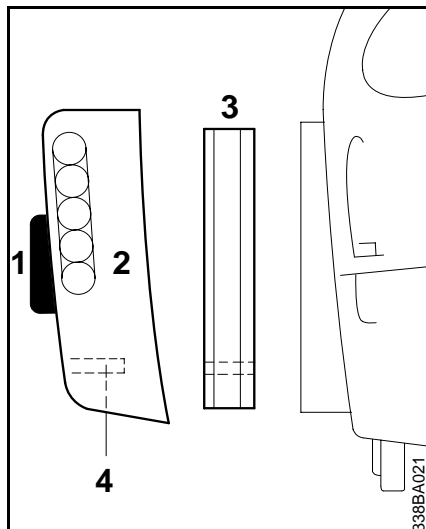
- Desconecte el borne de la bujía (1).
- Destornille y seque la bujía.
- Mueva la palanca de control a "0"
- Presione la palanca de bloqueo del gatillo de aceleración.
- Tire de la cuerda de arranque varias veces para despejar la cámara de combustión.
- Instale la bujía y vuélvale a conectar su borne.

## Limpeza del filtro de aire

- Mueva la palanca de control a ARRANQUE (START) = la posición de arranque
- Ponga la palanca del estrangulador en  = la posición de arranque tibio, aun si el motor está frío
- Vuelva a arrancar el motor

Si se ha dejado que se agote el combustible y se ha vuelto a llenar el tanque:

- Tire de la cuerda de arranque varias veces hasta que el conducto de combustible esté cebado.



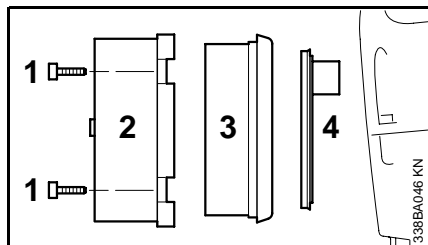
- Quite las acumulaciones de tierra dentro de la cubierta del filtro
- Vuelva a colocar el prefiltro en la cubierta del filtro para que la espiga (4) quede dentro de la abertura en el filtro.
- Vuelva a colocar la cubierta del filtro.

Los filtros de aire contaminados reducen la potencia del motor, aumentan el consumo de combustible y dificultan el arranque del motor.

### Si el rendimiento del motor se reduce significativamente:

- Destornille la tuerca de cierre (1) en la cubierta del filtro
- Quite la cubierta del filtro (2)
- Quite el prefiltro (3) de la cubierta del filtro

Los prefiltros mojados deben secarse antes de chocarlos o soplarlos para limpiarlos. Sustituya el filtro si está dañado.



El mantenimiento de los filtros principal y auxiliar debe efectuarse solamente en el centro o taller de servicio.

- Saque los tornillos (1).
- Quite la caja del filtro (2)
- Tire del filtro principal (3) para quitarlo de la caja y revíselo. Debe cambiarse si está contaminado o dañado.

💡 El filtro auxiliar siempre debe cambiarse junto con el filtro principal.

- Ponga la palanca del estrangulador en **I**
- Pele el filtro auxiliar (4) fuera del fondo del filtro y revíselo. Debe cambiarse si está dañado. Asegúrese que la suciedad no pueda entrar en la zona de admisión al quitar el filtro auxiliar.
- Limpie la cámara del filtro y vuelva a colocar todos los componentes del filtro

- Vuelva a colocar la cubierta del filtro
- Vuelva a apretar la tuerca de cierre

### Sistema de filtrado

La calidad de los elementos de filtro empleados es muy importante debido a las condiciones especiales involucradas con el uso de una máquina de corte (niveles de polvo y esfuerzos dinámicos extremadamente altos).

Los filtros de aire STIHL han sido diseñados especialmente para usar en sierras y, por lo tanto, cumplen con los requerimientos especiales de diseño mecánico, materiales y calidad de fabricación.

- Uniformidad excelente del tamaño de poro, de los pliegues y de la resistencia del papel
- Cartuchos de filtro con alta resistencia contra compresión y de dimensiones precisas

La capacidad de filtrado y la permeabilidad de todos los componentes del filtro de aire en esta máquina han sido optimizados.

Por lo tanto, se deben usar solamente los filtros de aire originales de marca STIHL. La alta calidad de estos componentes y el programa de mantenimiento especificado aseguran el funcionamiento sin problemas y una larga vida útil del motor.

- 💡 El motor no tiene la protección óptima contra suciedad cuando se emplean filtros que tienen el aspecto de ser bien ajustados pero han sido producidos por otros fabricantes. En tales casos no se aceptan los reclamos de garantía para desgaste excesivo de los componentes del motor o para daños del motor.

## Manejo del motor

Las emisiones de gases de escape son controladas por el diseño de parámetros y componentes fundamentales del motor (por ej. carburación, encendido, regulación y regulación de la válvula o lumbrera) sin la adición de ningún equipo importante.

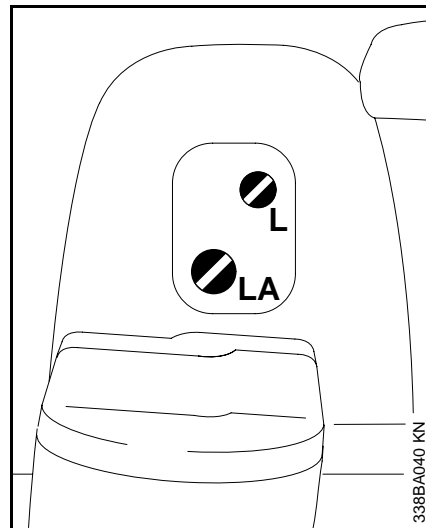
## Ajuste del carburador

El carburador es ajustado en fábrica para garantizar que la mezcla de combustible/aire sea óptima bajo la mayoría de las condiciones de trabajo.

La limitación de la mezcla de ralentí reduce al mínimo las emisiones producidas durante períodos de funcionamiento en ralentí y con cargas parciales.

### Ajuste normal

- Revise el filtro de aire y límpielo o sustitúyalo de ser necesario.
- Revise el chispero y límpielo o sustitúyalo de ser necesario.
- Caliente el motor.
- Atornille el tornillo de velocidad baja (**L**) hasta que tope en su asiento. Después aflójelo **una** vuelta en sentido contrahorario (ajuste estándar, **L = 1**).



### Corrección del ajuste del carburador para grandes altitudes

Si el motor no funciona satisfactoriamente, podría ser necesario un ligero reajuste:

- Revise el ajuste estándar.
- Caliente el motor.
- Gire el tornillo de ajuste de velocidad baja (**L**) en sentido horario (mezcla más pobre).

## Chispero\* en el silenciador

## Revisión de la bujía

### Ajuste de la velocidad de ralentí

- Generalmente es necesario cambiar el ajuste del tornillo de ajuste de ralentí (**LA**) después de cada corrección hecha al tornillo de ajuste de velocidad baja (**L**).

### El motor se para a ralentí

- Ajústelo al ajuste estándar
- Gire el tornillo de ajuste de ralentí (**LA**) en sentido horario hasta que el disco abrasivo comience a funcionar, y luego un cuarto de vuelta en sentido contrario.

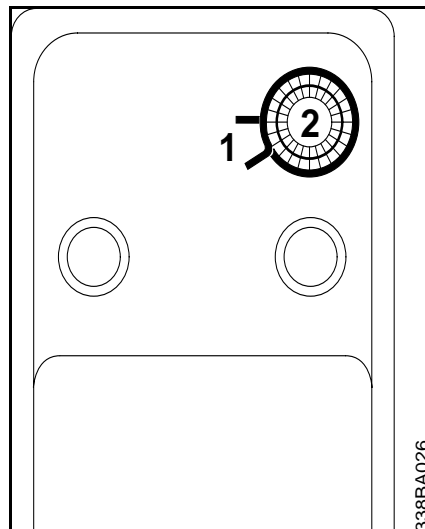
### El disco abrasivo funciona a ralentí

- Ajústelo al ajuste estándar
- Gire el tornillo de ajuste de ralentí (**LA**) en sentido contrahorario hasta que el disco abrasivo se detenga y luego otro cuarto de vuelta en el mismo sentido.

### Funcionamiento irregular a ralentí, aceleración deficiente

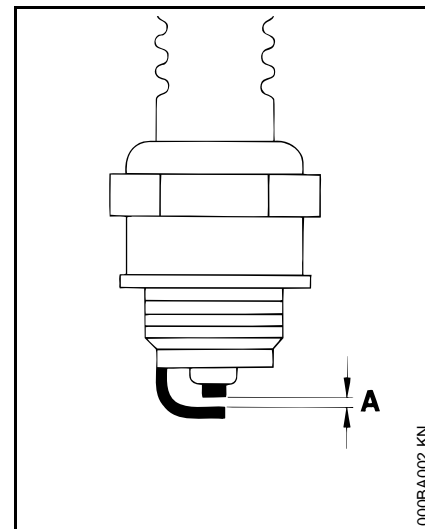
Ajuste de ralentí con mezcla muy pobre (por ejemplo, a temperatura ambiente fría):

- Gire el tornillo de ajuste de velocidad baja (**L**) en sentido contrahorario hasta que el motor funcione y se acelere de modo uniforme.



El chispero en el silenciador debe revisarse si el motor pierde potencia.

- Quite la pinza retenedora (1) y el chispero (2) con alicates adecuados
- Limpie el chispero contaminado.
- Cambie el chispero si está dañado o tiene acumulaciones importantes de carbono.
- Vuelva a instalar el chispero y la pinza retenedora



La mezcla de combustible incorrecta (demasiado aceite de motor en la gasolina), el filtro de aire sucio y condiciones de funcionamiento desfavorables (generalmente a media aceleración, etc.) afectan la condición de la bujía. Estos factores causan la formación de depósitos en la punta del aislador lo que puede dificultar el funcionamiento.

\* vea "Guía para el uso de este manual"



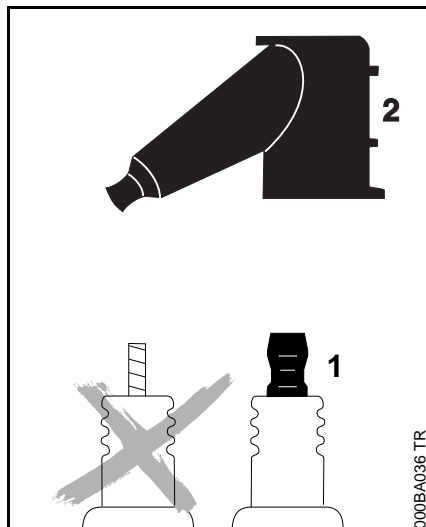
Si el motor tiene poca potencia, le cuesta arrancar o funciona deficientemente a velocidad de ralentí, primero revise la bujía.

- Saque la bujía – vea „Arranque / parada del motor“.
- Limpie la bujía sucia.
- Mida la separación entre electrodos de la bujía **(A)**. Vuelva a ajustar si es necesario. Vea “Especificaciones”.
- Use únicamente bujías de tipo resistencia de capacidad aprobada.

Corrija la causa de la suciedad de la bujía:

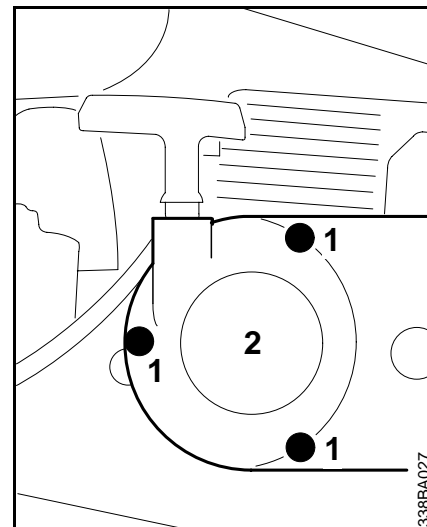
- Demasiado aceite en la mezcla de combustible.
- Filtro de aire sucio.
- Condiciones de funcionamiento desfavorables, por ej., funcionamiento a media aceleración.

**Coloque una bujía nueva después de 100 horas de funcionamiento**, aproximadamente, o más temprano si nota que los electrodos están muy desgastados.



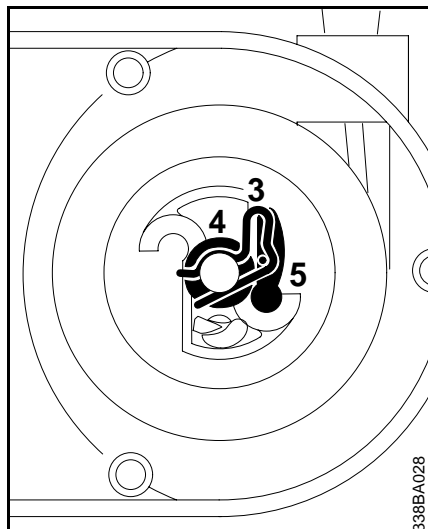
**⚠** Para reducir el riesgo de incendios y lesiones por quemadura, use solamente bujías autorizadas por STIHL. Siempre encaje un casquillo **(2)** del tamaño correcto bien ajustado en el borne **(1)** de la bujía. (Nota: Si el borne tiene una tuerca adaptadora SAE desprendible, colóquela.) Una conexión suelta entre el casquillo de la bujía y el conector del alambre de encendido puede formar un arco eléctrico, inflamar los vapores combustibles y finalmente causar un incendio.

## Sustitución de la cuerda de arranque y resorte de rebobinado

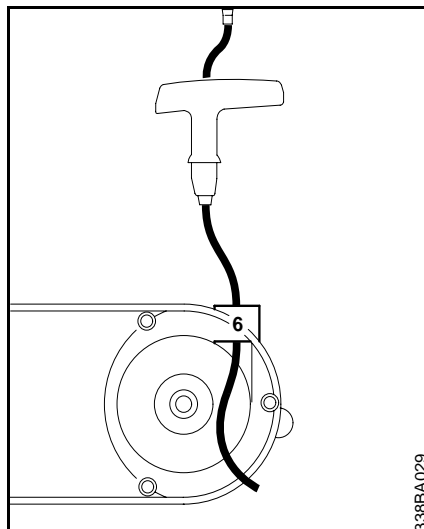


## Sustitución de la cuerda de arranque

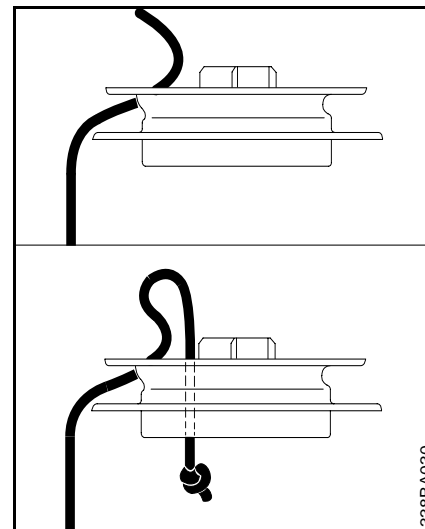
- Saque los tornillos **(1)**
- Quite la tapa del arrancador **(2)** del motor



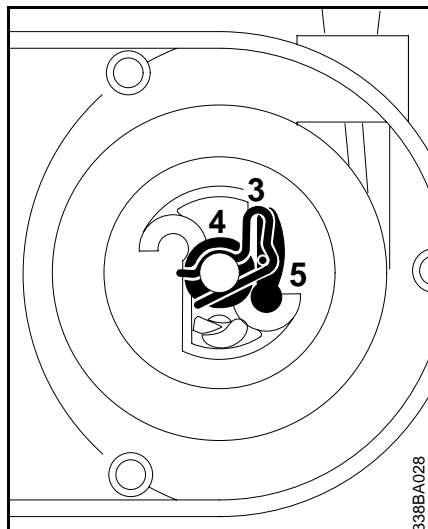
- Quite la pinza de resorte (3)
- Quite el rotor de la cuerda con la arandela (4) y el trinquete (5)



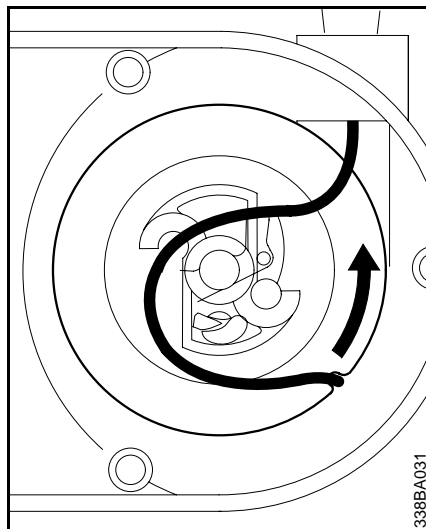
- Utilice un destornillador para apalancar la cuerda del mango
- Quite el resto de la cuerda de la polea y del mango
- Pase la cuerda de arranque nueva (vea "Especificaciones") por el mango y el buje guía (6) desde arriba hacia abajo



- Tire de la cuerda de arranque a través de la polea y fjela en el rotor con un nudo de rizo simple



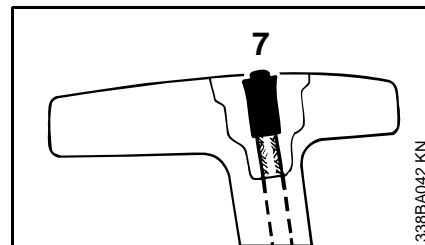
- Deslice el rotor en el poste del arrancador y gírelo hacia uno y otro lado hasta que la espiral del resorte de rebobinado se enganche
- Instale el trinquete (5) en el rotor
- Coloque la arandela (4) en el poste del arrancador
- Presione la pinza de resorte (3) en el poste del arrancador y deslícela sobre la espiga del trinquete con un destornillador o alicates. La pinza de resorte debe apuntar hacia la derecha, en sentido horario, tal como se ilustra.



### Tensado del resorte de rebobinado

- Forme un bucle con la cuerda de arranque sin enrollar y utilícelo para girar el rotor seis revoluciones completas en el sentido de la flecha
- Mantenga el rotor inmóvil. Tire de la cuerda y enderécela
- Suelte el rotor de la cuerda
- Suelte lentamente la cuerda de arranque para que ésta se enrolle en el rotor

El mango de arranque debe quedar firmemente sentado en el buje guía de la cuerda. Si el mango cae a un lado: aumente la tensión del resorte en una vuelta adicional.

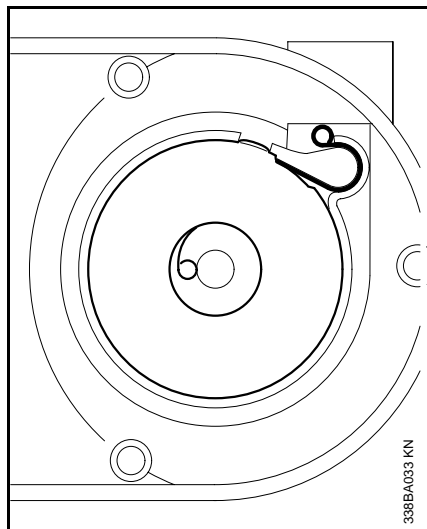


- Debe ser posible girar el rotor de la cuerda media vuelta adicional cuando la cuerda está totalmente extendida. En caso contrario, el resorte está sobretensado y podría romperse. Quítele una vuelta de la cuerda al rotor.
- Vuelva a colocar la tapa del arrancador
- Empuje la cuerda restante en el mango de arranque de manera que la boquilla (7) quede a ras con el mango

### Sustitución del resorte de rebobinado roto

- Quite el rotor de la cuerda de la forma descrita en "Sustitución de la cuerda de arranque"
- Retire la caja de resorte y las piezas del resorte

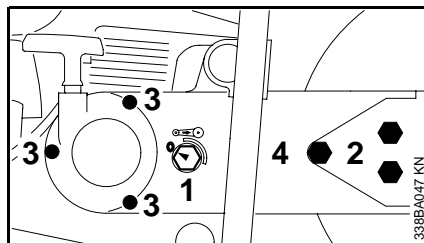
## Sustitución de la correa trapezoidal



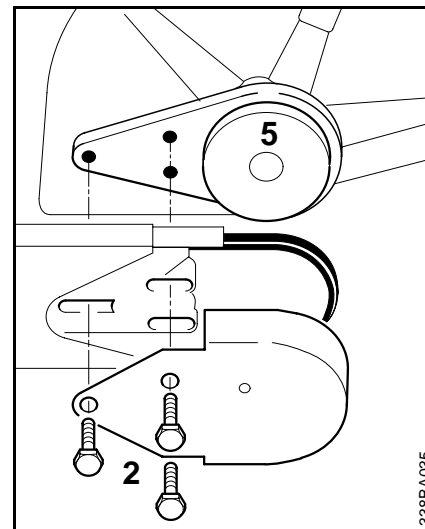
- Instale la caja de resorte nueva con la placa inferior orientada hacia arriba y deslice la espiral de resorte exterior sobre la orejeta
- Vuelva a instalar el rotor de la cuerda
- Tense el resorte de rebobinado
- Vuelva a colocar la caja del ventilador y atorníllela en su lugar

Si el resorte se sale de la caja:

- Vuelva a colocarlo en sentido contrario a las agujas del reloj desde la parte exterior hacia adentro



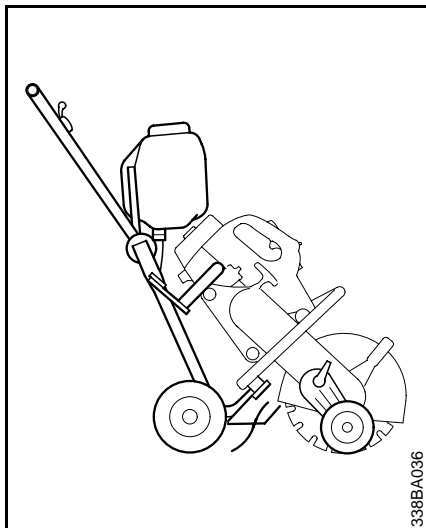
- La flecha en la tuerca tensora (1) debe apuntar hacia "0".
- Con la llave combinada, gire la tuerca tensora aprox. 1/4 de vuelta en sentido contrario a las agujas del reloj contra el tope = "0".
- Destornille los pernos hexagonales (2).
- Quite el protector de la correa trapezoidal y el cojinete con el protector
- Destornille los tornillos (3) en la tapa del arrancador
- Quite la tapa del arrancador
- Quite la correa trapezoidal defectuosa del brazo fundido
- Cuidadosamente inserte la correa trapezoidal nueva en el brazo fundido y en la polea en el motor
- Instale la tapa del arrancador
- Sujete el cojinete contra el brazo fundido con el protector



- Coloque la correa trapezoidal en la polea (5)
- Alinee los agujeros con roscas de la placa de cojinete con las ranuras en el brazo fundido
- Coloque el protector de la correa trapezoidal
- Atornille los pernos hexagonales (2) hasta el tope, pero no los apriete todavía

Proceda de la manera indicada en el capítulo "Tensado de la correa trapezoidal".

## Carro para sierra STIHL\*



La sierra puede instalarse fácilmente en un carro para sierra STIHL.

El carro facilita el trabajo con la sierra y es una ayuda indispensable para

- reparar el pavimento dañado de calzadas para vehículos
- aplicar marcas en las calzadas para vehículos o
- cortar juntas de expansión.

\* vea “Guía para el uso de este manual”

## Almacenamiento de la máquina

Por tres meses o más.

- Vacíe y limpie el tanque de combustible en una zona bien ventilada.
- Deseche el combustible de acuerdo con los requerimientos locales de protección del medio ambiente.
- Haga funcionar el motor hasta que el carburador se seque. Esto ayuda a evitar que los diafragmas del carburador se peguen.
- Retire el disco abrasivo.
- Limpie la máquina a fondo, prestando atención especial a las aletas del cilindro y al filtro de aire.
- Guarde la máquina en un lugar seco y seguro, fuera del alcance de los niños y de personas no autorizadas para usarla.

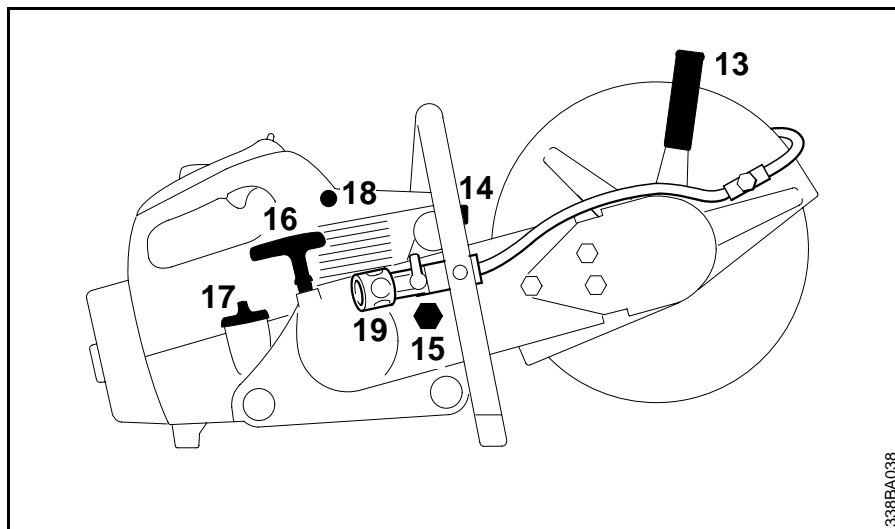
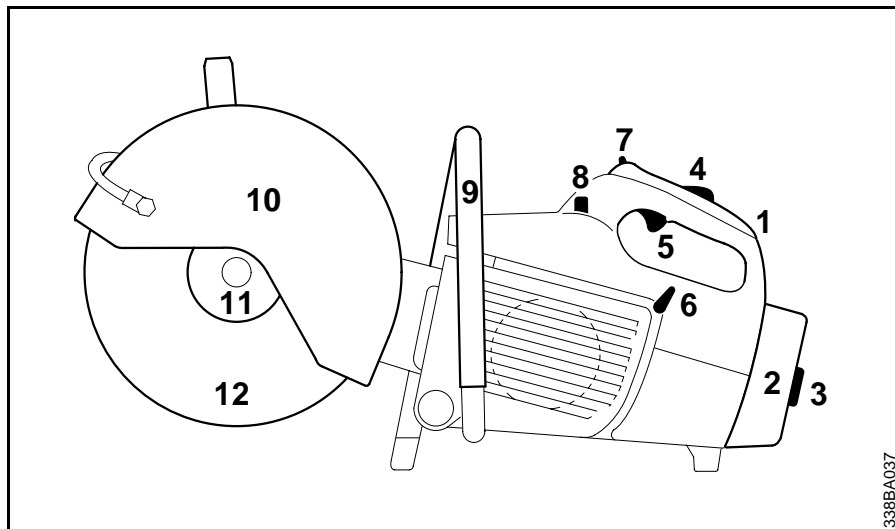
## Tabla de mantenimiento

La información siguiente se refiere a condiciones normales de funcionamiento. Cuando se trabaja en condiciones severas (gran formación de polvo, etc.) y jornadas diarias de trabajo más largas, se deberá reducir los intervalos especificados como corresponda.		Antes de empezar el trabajo	Después de terminar de trabajar o diariamente	Después de llenar la máquina con combustible	Semanalmente	Mensualmente	Anualmente	En caso de avería	Si tiene daños	Según se requiera
Máquina completa	Inspección visual (condición general, ausencia de fugas)	X		X						
	Limpiar		X							
Parts	Prueba funcional	X		X						
Cuerpo aspirador en el tanque de combustible	Revisar						X			
	Reemplazar					X			X	X
Tanque de combustible	Limpiar					X				
Correa trapezoidal	Limpiar / volver a tensar					X				X
	Reemplazar								X	X
Filtro de aire (prefiltro, filtro auxiliar)	Limpiar	X						X		
Filtro de aire (todos sus componentes)	Reemplazar								X	X
Lumbreras de admisión de aire de enfriamiento	Limpiar		X							
Aletas del cilindro	Limpiar		X							
Chispero* en el silenciador	Revisar		X							
	Limpiar o reemplazar									X
Carburador	Revisar velocidad de ralentí – el disco abrasivo no debe girar con el motor a ralentí	X		X						
	Ajustar la velocidad de ralentí									X
Bujía	Ajustar la distancia entre electrodos							X		
	Cambiar después de aprox. 100 horas de funcionamiento									
Tornillos y tuercas accesibles (salvo los tornillos de ajuste)	Volver a apretar									X
Amortiguador de caucho (elemento antivibración)	Revisar	X						X		X
	Solicitar al concesionario de servicio su sustitución <sup>1)</sup>								X	
Disco abrasivo	Revisar	X		X						
	Reemplazar								X	X
Soporte / escuadra / amortiguador de caucho (lado inferior de máquina)	Revisar		X							
	Reemplazar								X	X
Etiquetas de seguridad	Reemplazar								X	

1) STIHL recomienda que el concesionario STIHL efectúe este trabajo

\* vea "Guía para el uso de este manual"

## Piezas y control



- 1= Mango trasero
- 2= Filtro de aire
- 3= Tuerca mariposa de cubierta del filtro
- 4= Bloqueo del gatillo de aceleración
- 5= Gatillo de aceleración
- 6= Palanca del estrangulador
- 7= Palanca de control
- 8= Borne de la bujía
- 9= Mango delantero
- 10= Protector del disco
- 11= Arandela de empuje
- 12= Disco abrasivo

- 13= Palanca de ajuste del protector de disco
- 14= Silenciador
- 15= Tuerca tensora (sistema tensor de la correa trapezoidal)
- 16= Mango de arranque
- 17= Tapa de llenado de combustible
- 18= Válvula de descompresión
- 19= Accesorio para agua

## Definiciones

- 1. Mango trasero:**  
El mango de apoyo para la mano derecha.
- 2. Filtro de aire:**  
Evita que el polvo y las materias extrañas entren al carburador.
- 3. Tuerca mariposa de cubierta del filtro:**  
Para retirar la cubierta del filtro; permite limpiar el filtro.
- 4. Bloqueo del gatillo de aceleración:**  
Es necesario oprimirlo antes de activar el gatillo de aceleración.
- 5. Gatillo de aceleración:**  
Regula la velocidad del motor.
- 6. Palanca del estrangulador:**  
Facilita el arranque del motor al enriquecer la mezcla.
- 7. Palanca de control:**  
Interruptor de bloqueo de aceleración de arranque y de parada. Mantiene el acelerador parcialmente abierto durante el arranque, apaga el encendido del motor y detiene su marcha.
- 8. Borne de la bujía:**  
Conecta la bujía al alambre de encendido.
- 9. Mango delantero:**  
Barra de empuñadura para la mano izquierda ubicada en la parte delantera de la sierra.
- 10. Protector del disco:**  
Protege el disco y desvía las chispas, el polvo, las virutas o los fragmentos de disco.
- 11. Arandela de empuje:**  
Distribuye la presión de fijación de la tuerca de montaje uniformemente sobre el disco de corte.
- 12. Disco abrasivo:**  
Puede ser un disco abrasivo o un disco adiamantado abrasivo.
- 13. Palanca de ajuste del protector del disco:**  
Para ajustar el protector del disco orientándolo de tal manera que las chispas, el polvo, las virutas o los fragmentos de disco sean desviados en sentido opuesto al operador.
- 14. Silenciador:**  
Atenúa los ruidos del tubo de escape y desvía los gases de escape en una dirección apropiada.
- 15. Tuerca tensora:**  
Para tensar la correa trapezoidal.
- 16. Mango de arranque:**  
El mango de la cuerda de arranque, el cual es el dispositivo usado para arrancar el motor.
- 17. Tapa de llenado de combustible:**  
Para tapar el tanque de combustible.
- 18. Válvula de descompresión:**  
Facilita el arranque.
- 19. Accesorio para agua:**  
Para conectar el suministro de agua durante el corte en mojado.

### Embrague:

Acopla el motor a la polea de la correa trapezoidal cuando se acelera el motor sobre la velocidad de ralentí. (No se muestra)

### Polea de correa trapezoidal:

La rueda que impulsa la correa trapezoidal y el disco abrasivo. (No se muestra)



## Especificaciones

### CARB / EPA:

El período de cumplimiento de emisiones indicado en la etiqueta de cumplimiento de emisiones es la cantidad de horas de funcionamiento para la cual la máquina ha demostrado la conformidad con los requerimientos de emisiones del Gobierno federal de los EE.UU.

Categoría A = 300 horas, B = 125 horas, C = 50 horas

### CARB:

El período de cumplimiento de emisiones empleado en la etiqueta del índice de aire CARB tiene las siguientes definiciones:

Extended (extendido) = 300 horas

Intermediate (intermedio) = 125 horas

Moderate (moderado) = 50 horas

### Motor

Motor STIHL de un cilindro, dos tiempos

Cilindrada:	64,1 cm <sup>3</sup> (3,9 pulg <sup>3</sup> )
Diámetro:	49 mm (1,93 pulg)
Carrera:	34 mm (1,34 pulg)
Potencia	3,2 kW (4,4 hp)
Velocidad máxima del árbol:	5350 rpm

(asegúrese que la velocidad máxima de funcionamiento del disco sea superior o igual a la velocidad máxima del árbol de su sierra)

### Sistema de encendido

Tipo: Encendido por magneto electrónico

### Bujía (extinguida):

Bosch WSR 6 F o NGK BPMR 7 A,

### Distancia entre electrodos

0,5 mm (0,02 pulg)

### Carburador

Carburador de diafragma de todas posiciones con bomba de combustible integral

### Sistema de arranque

Cuerda de arranque ElastoStart  
4,5 mm (0,18 pulg) diám.  
1122 190 2900

### Capacidad del tanque de combustible

0,66 l (1,39 pt)

### Discos abrasivos

Discos abrasivos de resina compuesta para acero, piedra, asfalto, tubería de hierro fundido dúctil y plásticos<sup>1)</sup>.

Discos adiamantados abrasivos para piedra y asfalto.

300 mm (12 pulg) ó 350 mm (14 pulg) de diám.; 2,6 a 6 mm (0,10 a 0,24 pulg) de espesor

### Diámetro de agujero para husillo, diámetro del árbol

20 mm (0,787 pulg)

### Diámetro mínimo de arandela de empuje

103 mm (4,1 pulg)

### Profundidad de corte con placa de empuje de 103 mm (4,1 pulg) de diám.:

98,5 mm (3,9 pulg) para 300 mm (12 pulg) de diám.

123,5 mm (4,9 pulg) para 350 mm (14 pulg) de diám.

<sup>1)</sup> No disponible en todos los países

## Accesorios especiales

### Dimensiones

Longitud con disco abrasivo de 300 mm (12 pulg) de diám. instalado	730 mm (28,7 pulg)
Altura hasta el protector	360 mm (14,2 pulg)
Ancho incluyendo la barra de empuñadura	300 mm (12 pulg)

### Peso

con accesorio de agua y tope limitador  
(sin disco abrasivo)


300 mm (12 pulg) diám.	9,1 kg (20,1 lb)
350 m (14 pulg) diám.	9,3 kg (20,5 lb)

Comuníquese con su concesionario STIHL para información acerca de los accesorios especiales que pueden estar disponibles para su producto.

## Mantenimiento y reparaciones

Los usuarios de esta máquina deben efectuar únicamente los trabajos de mantenimiento descritos en este manual. Solamente los talleres autorizados por STIHL deben llevar a cabo los demás trabajos de reparación.

Los reclamos de garantía presentados después de realizadas las reparaciones serán aceptados únicamente si las mismas fueron ejecutadas por un concesionario de servicio autorizado STIHL utilizando piezas de repuesto originales de STIHL.

Es posible identificar las piezas originales de STIHL por el número de pieza **STIHL**, el logotipo de STIHL y, en algunos casos, el símbolo  de piezas STIHL. En las piezas pequeñas el símbolo puede aparecer solo.

## Declaración de garantía de STIHL Incorporated sobre sistemas de control de emisiones según normas Federales

### Sus derechos y obligaciones de garantía

La Agencia de Protección del Medio Ambiente (EPA) de los EE.UU. y STIHL Incorporated se complacen en explicarle la garantía del sistema de control de emisiones instalado en el motor de su equipo. En los EE.UU., los nuevos motores pequeños para equipos de uso fuera de carretera modelos 1997 y posteriores deben estar diseñados, contruidos y equipados, al tiempo de la venta, de conformidad con los reglamentos de la EPA de los EE.UU. para los motores pequeños de uso fuera de carretera. El motor del equipo debe carecer de defectos en el material y la fabricación que puedan causar el incumplimiento de las normas de la EPA de los EE.UU. durante los primeros dos años de uso del motor a partir de la fecha de compra por el último comprador.

STIHL Incorporated debe garantizar el sistema de control de emisiones en el motor pequeño para uso fuera de carretera por el intervalo mencionado más arriba, siempre que dicho motor no haya estado sujeto a maltrato, negligencia o cuidado inapropiado.

El sistema de control de emisiones de su máquina incluye piezas tales como el carburador y el sistema de encendido. Además puede incluir mangueras, conectores y otros conjuntos relativos a emisiones.

En los casos de existir una condición amparada bajo garantía, STIHL Incorporated reparará el motor pequeño para equipo de uso fuera de carretera sin

costo alguno, incluido el diagnóstico (si el trabajo de diagnóstico fue realizado por un concesionario autorizado), las piezas y la mano de obra.

### Cobertura de garantía del fabricante:

En los EE.UU., los motores pequeños para equipos de uso fuera de carretera modelos 1997 y posteriores también están garantizados por dos años. En el caso de encontrarse defectos en cualquiera de las piezas del motor relacionadas con el sistema de control de emisiones, la pieza será reparada o sustituida por STIHL Incorporated sin costo alguno.

### Responsabilidades del usuario relativas a la garantía:

Como propietario de motor pequeño para equipo de uso fuera de carretera, usted tiene la responsabilidad de realizar el mantenimiento requerido descrito en su manual del usuario. STIHL Incorporated le recomienda guardar todos los recibos comprobantes de los trabajos de mantenimiento hechos a su motor pequeño para equipo de uso fuera de carretera, pero STIHL Incorporated no puede negar garantía basado en el solo hecho de faltar los recibos o del incumplimiento del propietario de realizar todos los trabajos de mantenimiento programados.

El uso de cualquier pieza de repuesto o servicio cuyo comportamiento y durabilidad sean equivalentes está permitido en trabajos de mantenimiento o reparación no contemplados en la garantía, y no

reducirá las obligaciones de la garantía del fabricante del motor.

Sin embargo, como propietario del motor pequeño para equipo de uso fuera de carretera usted debe estar consciente de que STIHL Incorporated puede negarle cobertura de garantía si dicho motor o una pieza del mismo ha fallado debido a maltrato, descuido, mantenimiento inadecuado o modificaciones no autorizadas.

Usted es responsable de llevar el motor pequeño para equipo de uso fuera de carretera a un centro de servicio STIHL tan pronto surja el problema. Las reparaciones bajo garantía serán realizadas en un tiempo razonable, sin exceder de 30 días.

Ante cualquier duda respecto a sus derechos y responsabilidades bajo esta garantía, sírvase contactar al representante de atención al cliente STIHL llamando al 1-800-467-8445, o si lo prefiere puede escribir a

STIHL Inc.,  
536 Viking Drive, P.O. Box 2015,  
Virginia Beach, VA 23450-2015 EE.UU.

### Cobertura por STIHL Incorporated

STIHL Incorporated garantiza al último comprador y a cada comprador subsiguiente que el motor pequeño para equipo de uso fuera de carretera está diseñado, construido y equipado, al tiempo de la venta, de conformidad con todos los reglamentos aplicables. Además, STIHL Incorporated garantiza al comprador inicial y a cada comprador

subsiguiente que el motor está libre de defectos en el material y fabricación que puedan causar el incumplimiento de los reglamentos aplicables durante un período de dos años.

### Período de garantía

El período de garantía comienza en la fecha en que el motor del equipo utilitario es entregado a usted y usted firma y remite la tarjeta de garantía a STIHL.

Si cualquier pieza relacionada con el sistema de control de emisiones está defectuosa, la pieza será sustituida por STIHL Incorporated sin costo alguno para el propietario. Cualquier pieza garantizada cuyo reemplazo no está programado como mantenimiento requerido, o que debe recibir únicamente inspección regular en el sentido de "reparar o sustituir según sea necesario", estará garantizada por el período de garantía. Cualquier pieza cuyo reemplazo está programado como mantenimiento requerido estará garantizada por el intervalo hasta el primer punto de reemplazo programado para esa pieza.

### Diagnóstico

Como propietario, a usted no se le debe cobrar la mano de obra por los diagnósticos que determinen que una pieza garantizada está defectuosa. No obstante, si usted reclama garantía para un componente y se comprueba que la máquina no está defectuosa, STIHL Incorporated le cobrará el costo de la prueba del sistema de control de emisiones.

El trabajo de diagnóstico mecánico se realiza en un centro de servicio autorizado por STIHL. La prueba del sistema de control de emisiones se realiza ya sea en la fábrica de STIHL Incorporated o en un laboratorio de ensayos independiente.

### Trabajo bajo garantía

STIHL Incorporated reparará los defectos amparados por la garantía en cualquier estación de garantía o centro de servicio autorizado por STIHL. Todo trabajo de este tipo se hará gratis para el propietario siempre que se determine que la pieza cubierta por la garantía está defectuosa. Se puede usar cualquier pieza de repuesto aprobada por el fabricante o equivalente en las piezas relacionadas con el sistema de control de emisiones, y debe ser suministrada gratis al propietario. STIHL Incorporated es responsable por daños a otros componentes del motor causados por la falla de una pieza garantizada que todavía está bajo garantía.

La lista siguiente define específicamente las piezas garantizadas y relacionadas con las emisiones:

Carburador  
Estrangulador (sistema de refuerzo para arranque en frío)  
Múltiple de admisión  
Filtro de aire  
Bujía  
Magneto o sistema de encendido electrónico (módulo de encendido)  
Convertidor catalítico (si lo tiene)  
Sujetadores/pernos

### Dónde presentar el reclamo para servicio bajo garantía

Lleve el producto a cualquier centro de servicio autorizado por STIHL y presente la tarjeta de garantía firmada.

### Requerimientos de mantenimiento

Las instrucciones presentadas en este manual se basan en la aplicación de la mezcla recomendada para motores de 2 tiempos (vea también la instrucción "Combustible"). Las discrepancias de estas recomendaciones con respecto a la calidad y la proporción de la mezcla de combustible y aceite pueden exigir intervalos de mantenimiento más cortos.

### Limitaciones

Esta garantía de los sistemas de control de emisiones no cubrirá ninguno de los puntos siguientes:

- reparación o sustitución requerida debido a maltrato, negligencia o falta del mantenimiento requerido,
  - reparaciones mal hechas o sustituciones contrarias a las especificaciones de STIHL Incorporated que afecten desfavorablemente el funcionamiento y/o la durabilidad, y las alteraciones o modificaciones no recomendadas o aprobadas por escrito por STIHL Incorporated,
- y
- la sustitución de piezas y otros servicios y ajustes necesarios para el mantenimiento requerido en y después del primer punto de reemplazo programado.

## Marcas comerciales

### Marcas registradas de STIHL

STIHL®

**STIHL**®



La combinación de colores anaranjado-gris (N° de registro EE.UU. 2,821,860)

4-MIX®

AUTOCUT®

EASYSTART®

OILOMATIC®

STIHL Cutquik®

STIHL DUROMATIC®

STIHL Farm Boss®

STIHL Quickstop®

STIHL ROLLOMATIC®

STIHL WOOD BOSS®

TIMBERSPORTS®

YARD BOSS®

### Marcas comerciales de STIHL por ley común

BioPlus™

Easy2Start™

EasySpool™

ElastoStart™

Ematic /Stihl-E-Matic™

FixCut™

HT Plus™

IntelliCarb™

Master Control Lever™

Micro™

Pro Mark™

Quad Power™

Quiet Line™

STIHL Arctic™

STIHL Compact™

STIHL HomeScaper Series™

STIHL Interchangeable Attachment Series™

STIHL Magnum /Stihl-Magnum™

STIHL MiniBoss™

STIHL MotoPlus 4™

STIHL Multi-Cut HomeScaper Series™

Stihl Outfitters™

STIHL PICCO™

STIHL PolyCut™

STIHL PowerSweep™

STIHL Precision Series™

STIHL Protech™

STIHL RAPID™

STIHL SuperCut™

STIHL Territory™

TapAction™

TrimCut™

Esta lista de marcas comerciales está sujeta a cambios.

Queda terminantemente prohibido todo uso de estas marcas comerciales sin el consentimiento expreso por escrito de ANDREAS STIHL AG & Co. KG, Waiblingen.

**⚠ WARNING!**

The engine exhaust from this product contains chemicals known to the State of California to cause cancer, birth defects or other reproductive harm.

**⚠ WARNING!**

Some dust created by power grinding and other construction activities contains chemicals known to the State of California to cause cancer, birth defects or other reproductive harm.

Some examples of these chemicals are:

- lead from lead-based paints, and
- crystalline silica from bricks and cement and other masonry products.

Your risk from these exposures varies, depending on how often you do this type of work. To reduce your exposure to these chemicals : work in a well ventilated area, and work with approved safety equipment, such as those dust masks that are specially designed to filter out microscopic particles.

**⚠ ADVERTENCIA**

Los gases de escape del motor de este producto contienen sustancias químicas consideradas por el Estado de California como causantes de cáncer, defectos de nacimiento u otros daños a los órganos de la reproducción.

**⚠ ADVERTENCIA**

El polvo creado por los esmeriles eléctricos y otros trabajos de construcción puede contener sustancias químicas consideradas por el Estado de California como causantes de cáncer, defectos de nacimiento u otros daños a los órganos de la reproducción.

Algunos ejemplos de estas sustancias químicas son:

- el plomo contenido en las pinturas a base de plomo, y
- la sílice cristalina de ladrillos y el cemento y otros productos de albañilería.

Su riesgo debido a la exposición a estas sustancias varía, dependiendo de la frecuencia con que usted hace este tipo de trabajo. Para reducir su exposición a estas sustancias químicas: trabaje en un lugar bien ventilado, utilizando el equipo de seguridad aprobado, tal como las mascarillas protectoras del polvo diseñadas especialmente para filtrar las partículas microscópicas.

**0458 338 8621**

**englisch / English USA / spanisch / español EE.UU / CARB / EPA**