



## HD 12 W

**HD 12 W** - Articulated tandem roller with two vibratory drums



- ▶ Hydrostatic dual drum drive
- ▶ Automatic/manual vibration system
- ▶ Hydrostatic articulated steering
- ▶ Excellent maneuverability
- ▶ Low sound level
- ▶ 3 braking systems with Emergency Stop button
- ▶ Plastic water tank, pressurized water system, hand serviceable, plastic spray nozzles
- ▶ 2" (50mm) offset capability

# HD 12 WV



HD 12 WV - Articulated tandem roller with two vibratory drums  
 HD 12 VO - Articulated tandem roller with vibratory and oscillating drum

		HD 12 WV
<b>Weights</b>		
Operating weight with ROPS	lbs (kg)	5,941 (2695)
Maximum weight	lbs (kg)	7,518 (3410)
Axle load, front/rear	lbs (kg)	2,943 / 2,998 (1335 / 1360)
Static linear load, front/rear	lbs/in (kg/cm)	62.3 / 63.5 (11.2 / 11.4)
<b>Machine Dimensions</b>		
Maximum working width	in (mm)	49.2 (1250)
Lateral overhang, left/right	in (mm)	2.2 / 2.2 (55 / 55)
Ground clearance, left/right	in (mm)	22.4 / 22.4 (570 / 570)
Ground clearance, center	in (mm)	11 (280)
Turning radius, inside	in (mm)	93.3 (2370)
Drum thickness, front/rear	in (mm)	0.59 / 0.59 (15 / 15)

<b>Diesel engine</b>		
Manufacturer	KUBOTA	
Model	D1503-M-E3B	
Number of cylinders	3	
Power rating ISO 14396, kW/HP/rpm	22.9/31,1/2700	
Power rating SAE J1349, HP/kW/rpm	30.7/22,9/2700	
Emissions standard EU/USA	III A / Tier 4i	
Fuel tank, capacity	Gal (Ltr)	11 (42)

<b>Drive</b>		
Hydrostatic drive, front/rear	Hydraulic motor/hydraulic motor	
Speed, infinitely variable	0-7.5 (0-12.0)	
Climbing ability, vibration on/off	%	30/40

**Vibration system**  
 Hydrostatic drive. Vibration, front and rear, activated separately or together (VV). Automatic switch off function at excessive speed. Vibration can be activated manually or started automatically.

<b>Vibration</b>		
Vibration frequency, front, high/low	vpm (Hz)	4,020 / 3,120 (67/52)
Vibration frequency, rear, high/low	vpm (Hz)	4,020 / 3,120 (67/52)
Amplitude, front, high/low	in (mm)	.020 / .020 (0.52/0.52)
Amplitude, rear, high/low	in (mm)	.020 / .020 (0.52/0.52)
Centrifugal force, front, high/low	lbs (kN)	11,700 / 7,200 (52/32)
Centrifugal force, rear, high/low	lbs (kN)	11,700 / 7,200 (52/32)

<b>Oscillation</b>		
Oscillation frequency, rear high/low	vpm (Hz)	
Tangential amplitude, rear, high/low	in (mm)	
Oscillation force, rear, high/low	lbs (kN)	

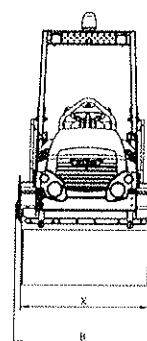
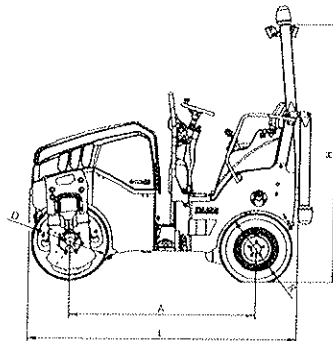
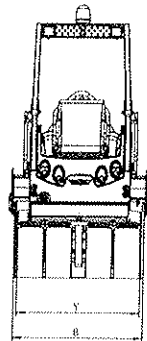
<b>Steering</b>		
Steering, type	Articulated steering	
Steering, actuation	hydrostatic, steering wheel	
Steering angle +/-	Grad	32°
Oscillation angle +/-	Grad	8°

<b>Sprinkler system</b>		
Water sprinkler, type	Pressure	
Actuation, sprinkling	interval/manual	
Water tank, capacity	Gal (Ltr)	47.6 (180)

**Standard equipment**  
 2" offset capability, comfort seat, multifunctional control lever, hourmeter, pilot lamps and emergency stop button. ROPS, seat belt, back up alarm. Lighting according to German Road Regulation. CE-conformity.

**Optional equipment**  
 ROPS mounted, front and rear work lights. Rotating beacon. Special paint.

Total length	L	96.8" (2460)	96.8" (2460)
Total width	B	51.6" (1310)	51.6" (1310)
Total height	H	94" (2390)	94" (2390)
Wheel base	A	67" (1700)	67" (1700)
Drum width	X	47.2" / 47.2" (1200/1200)	47.2" / 47.2" (1200/1200)
Drum diameter	D	28.3" / 28.3" (720/720)	28.3" / 28.3" (720/720)
Height loading, min.	HI	69" (1752)	69" (1752)



WIRTGEN AMERICA - HAMM COMPACTION EQUIPMENT

6030 Dana Way • Antioch, TN 37013 • 615-501-0600 • Fax 615-501-0691 • www.wirtgenamerica.com