

3K 3412 / 3412 P



Vibratory compactor

- ▶ Ergonomic driver's compartment for perfect all-round visibility
- ▶ Convenient information display
- ▶ Infinitely variable hydrostatic all-wheel drive
- ▶ High engine performance with traction control
- ▶ High climbing power through automatic slip control
- ▶ 3-point swivel joint for highest driving comfort
- ▶ Hydrostatic steering
- ▶ Very easy maintenance, long service intervals



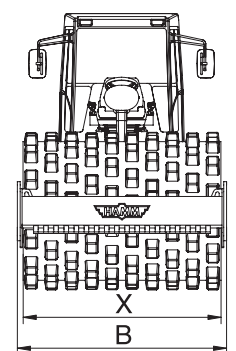
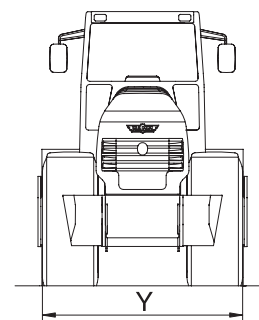
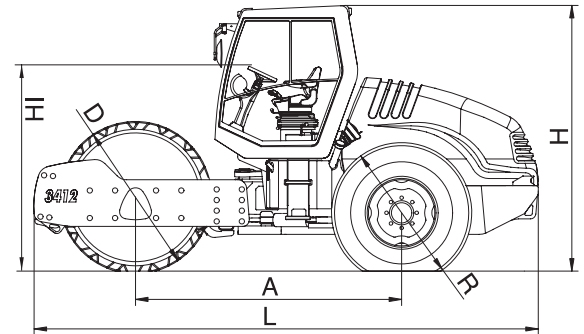
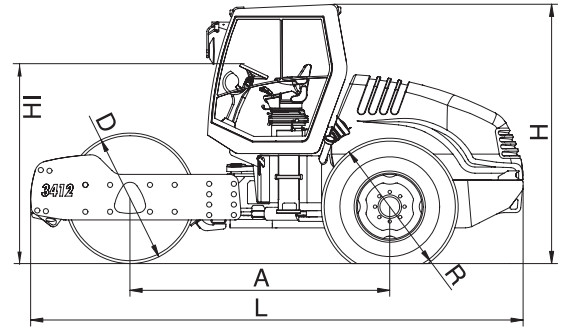
TECHNICAL DATA

3412
3412 P

| Weights | | | |
|--|-------|---------------------------|---------------------------|
| Operating weight | kg | 12200 | 12300 |
| Maximum weight | kg | 14200 | 14200 |
| Axle load, front/rear | kg | 6705/5495 | 6805/5495 |
| Load per tire, rear | kg | 2747,5 | 2747,5 |
| Static linear load, front | kg/cm | 31,3 | |
| Machine dimensions | | | |
| Max. working width | mm | 2140 | 2140 |
| Turning radius, inside | mm | 3690 | 3690 |
| Padfoot, number | | | 140 |
| Height of the padfoot | mm | | 100 |
| Front area of padfoot | | | 152 |
| Size of tires, rear | | AW 23.1-26 12 PR | TR 23.1-26 12 PR |
| Diesel engine | | | |
| Manufacturer | | DEUTZ | DEUTZ |
| Type | | TCD 2012 L04 2V | TCD 2012 L04 2V |
| Number of cylinders | | 4 | 4 |
| Power rat. ISO 14396, kW/PS/rpm | | 100,0/136,0/2300 | 100,0/136,0/2300 |
| Power rating SAE J1349, kW/HP/rpm | | 100,0/134,0/2300 | 100,0/134,0/2300 |
| Drive | | | |
| Hydrostatic drive, front/rear | | Hydraulic motor/axle | Hydraulic motor/axle |
| Speed, working gear | km/h | 0-3,9/0-5,5/0-6,4 | 0-3,8/0-4,9/0-6,4 |
| Speed, transportation gear | km/h | 0-11,9 | 0-10,1 |
| Climbing ability, vibration on/off | % | 56/61 | 62/67 |
| Vibration system | | | |
| Hydrostatic drive | | | |
| Vibration | | | |
| Vibration frequency, front, l/l | Hz | 30/40 | 30/40 |
| Amplitude, front, l/l | mm | 1,91/0,90 | 1,87/0,88 |
| Centrifugal force, front, l/l | kN | 256/215 | 256/215 |
| Steering | | | |
| Steering, type | | Pivoted steering | Pivoted steering |
| Steering, actuation | | hydrostatic, steer. wheel | hydrostatic, steer. wheel |
| Steering lock +/- | Grad | 35 | 35 |
| Oscillation angle +/- | Grad | 10 | 10 |
| Brake system | | | |
| Service brake, mode of action | | hydrostatic | hydrostatic |
| Service brake, actuation | | Drive lever | Drive lever |
| Parking brake, mode of action | | Spring-loaded/mechanical | Spring-loaded/mechanical |
| Parking brake, actuation | | electr. a. autom. | electr. a. autom. |
| Emergency brake, mode of action | | hydr./mech. | hydr./mech. |
| Emergency brake, actuation | | Emergency stop | Emergency stop |
| Hydraulic pump, Hamm No. | | | 2057213 |
| Equipment | | | |
| Suspended driving position, access from both sides. Sliding and swivelling seat console. 2 multifunctional drive levers. Traction control. Swivelling drive and dashboard console. Modern information and control display. Sound insulation. Tilttable GFK-engine hood. CE-conformity. | | | |
| Optional | | | |
| Comfortable ROPS cabin with panoramic view. Working lights, wipers front/rear, exterior and interior mirrors. Radio. Heating with dust free ventilation. Air conditioning. ROPS/FOPS. Sun top. HCQ-Indicator, HCQ-Printer, HCQ-GPS-Navigator. Tachograph. Lighting according to German Road Regulation. Special paint. | | | |

Further data on request / subject to change

3412 - Vibratory compactor
3412 P - Padfoot compactor



| | | 3412 | 3412 P |
|----------------------|----|------|--------|
| Total length | L | 5705 | 5705 |
| Width | B | 2250 | 2250 |
| Total height | H | 2990 | 3010 |
| Wheel base | A | 3015 | 3015 |
| Roller drum width | X | 2140 | 2140 |
| Drum diameter | D | 1504 | 1684 |
| Width over tires | Y | 2130 | 2130 |
| Diameter of tires | R | 1565 | 1565 |
| Height loading, min. | HI | 2325 | 2325 |